

## LASER PRINTER (MULTI FUNCTION)

**AR-M350**  
**AR-M450**

**OPTION: AR-EF1**  
**AR-M11**  
**AR-RK1**

**MODEL**

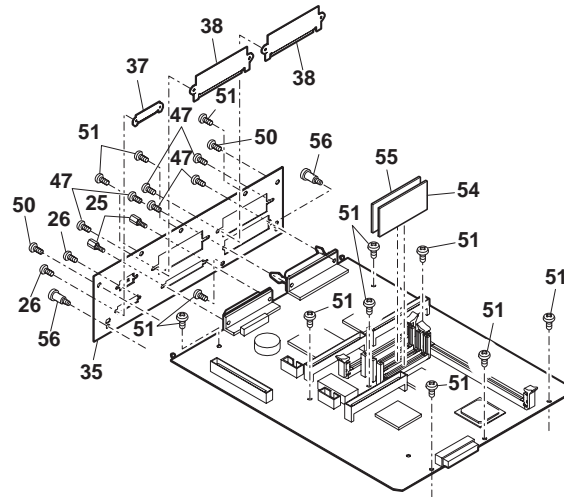
### CONTENTS

- |   |   |
|---|---|
| 1 Exteriors   | 34 DSPF Paper feed unit[AR-EF1]           |
| 12 Controller BOX unit                              | 35 DSPF Upper transfer unit[AR-EF1]       |
| 17 Packing material & Accessories                   | 36 DSPF CIS unit[AR-EF1]                  |
| 26 MFP Control PWB<br>(ARM350/M450/350M/450M/ARM11) | 37 Packing Material & Accessories[AR-EF1] |
| 27 Exteriors[AR-EF1]                                | 38 MFP OPE PWB[AR-EF1]                    |
| 28 Original detect unit[AR-EF1]                     | 39 Scanner control PWB[AR-EF1]            |
| 29 Operation panel unit[AR-EF1]                     | 40 CIS Control PWB[AR-EF1]                |
| 30 Optical unit 1[AR-EF1]                           | 41 MFP Controller PWB[AR-M11]             |
| 31 Optical unit 2[AR-EF1]                           | 42 Packing material & Accessories[ARM11]  |
| 32 Lamp unit[AR-EF1]                                | 43 Packing Material & Accessories[AR-RK1] |
| 33 DSPF Assembly section[AR-EF1]                    | ■ Index                                   |

The AR-M350 / AR-M450 Parts Guide describes only the parts change from AR-P350 / AR-P450 Parts Guide. for the common parts, please refer to the AR-P350 / AR-P450(CODE : 00ZAR350LPP1/) Parts Guide.



12 Controller BOX unit



FCP05045

17 Packing material & Accessories

NO.	PARTS CODE	PRICE RANK	NEW MARK	PART RANK	DESCRIPTION
5	SPAKC6122DS18	AU	N	D	Packing case [ARM350][STCL,SRS,SRSSC]
	SPAKC6122DS19	AU	N	D	Packing case [ARM350][China]
	SPAKC6122DS17	AU	N	D	Packing case [ARM350][other countries]
	SPAKC6122DS21	AU	N	D	Packing case [ARM450][STCL,SRS,SRSSC]
	SPAKC6122DS22	AU	N	D	Packing case [ARM450][China]
	SPAKC6122DS20	AU	N	D	Packing case [ARM450][other countries]
	SPAKC6118DS12	AU	N	D	Packing case [AR350M][Japan]
	SPAKC6118DS13	AU	N	D	Packing case [AR450M][Japan]
13	PSHEP4927FCZ2	AM	N	D	Key sheet [French]
	PSHEP4927FCZ1	AR	N	D	Key sheet [Germany]
	PSHEP4927FCZ2	AM	N	D	Key sheet [Spanish]
	PSHEP4927FCZ3	AR	N	D	Key sheet [Italian]
	PSHEP4927FCZ4	AR	N	D	Key sheet [Dutch]
	PSHEP4927FCZ5	AR	N	D	Key sheet [Swedish]
	PSHEP4927FCZ6	AR	N	D	Key sheet [Norwegian]
	PSHEP4927FCZ7	AR	N	D	Key sheet [Finnish]
	PSHEP4927FCZ8	AR	N	D	Key sheet [Danish]
	PSHEP4927FCZ9	AR	N	D	Key sheet [Hungarian]
PSHEP4927FC10	AR	N	D	Key sheet [Czechoslovakia]	
PSHEP4927FC11	AR	N	D	Key sheet [Polish]	
20	TINSE2181FCZZ	AT	N	D	Operation manual [USA]
	TINSJ2076FCZZ	AQ	N	D	Operation manual COPY [Japan]
	TINSE2077FCZZ	AQ	N	D	Operation manual COPY [USA]
	TINSE2078FCZZ	AW	N	D	Operation manual COPY [English]
	TINSF2079FCZZ	AW	N	D	Operation manual COPY [French]
	TINSG2080GHZZ	AS	N	D	Operation manual COPY [German]
	TINSE2081GHZZ	AS	N	D	Operation manual COPY [U Kingdom]
	TINSS2082FCZZ	AW	N	D	Operation manual COPY [Spanish]
	TINSi2083GHZZ	AS	N	D	Operation manual COPY [Italian]
	TINSH2084GHZZ	AS	N	D	Operation manual COPY [Dutch]
	CINSR2085FC51	AS	N	D	Operation manual COPY [Russian]
	CINSZ2086FC51	AS	N	D	Operation manual COPY [Arabic]
	TINSE2087FCZZ	AX	N	D	Operation manual COPY [Hong Kong]
	TINSW2089GHZZ	AS	N	D	Operation manual COPY [Swedish]
	TINSZ2090GHZZ	AS	N	D	Operation manual COPY [Norwegian]
	TINSZ2091GHZZ	AS	N	D	Operation manual COPY [Finnish]
	TINSD2092GHZZ	AS	N	D	Operation manual COPY [Danish]
	TINSZ2093GHZZ	AS	N	D	Operation manual COPY [Hungarian]
	TINSZ2094GHZZ	AS	N	D	Operation manual COPY [Czechoslovakia]
	TINSZ2095GHZZ	AS	N	D	Operation manual COPY [Polish]
	TINSJ2118FCZZ	AN	N	D	Operation manual SCANNER [Japan]
	TINSE2119FCZZ	AN	N	D	Operation manual SCANNER [USA]
	TINSE2120FCZZ	AV	N	D	Operation manual SCANNER [English]
	TINSF2121FCZZ	AV	N	D	Operation manual SCANNER [French]
	TINSG2122GHZZ	AS	N	D	Operation manual SCANNER [German]
	TINSE2123GHZZ	AS	N	D	Operation manual SCANNER [U Kingdom]
	TINSS2124FCZZ	AV	N	D	Operation manual SCANNER [Spanish]
	TINSi2125GHZZ	AS	N	D	Operation manual SCANNER [Italian]
	TINSH2126GHZZ	AS	N	D	Operation manual SCANNER [Dutch]
	CINSR2127FC51	AR	N	D	Operation manual SCANNER [Russian]
	CINSZ2128FC51	AR	N	D	Operation manual SCANNER [Arabic]
	TINSE2129FCZZ	AV	N	D	Operation manual SCANNER [Hong Kong]
TINSW2131GHZZ	AS	N	D	Operation manual SCANNER [Swedish]	
TINSZ2132GHZZ	AS	N	D	Operation manual SCANNER [Norwegian]	
TINSZ2133GHZZ	AS	N	D	Operation manual SCANNER [Finnish]	
TINSD2134GHZZ	AS	N	D	Operation manual SCANNER [Danish]	
TINSZ2135GHZZ	AS	N	D	Operation manual SCANNER [Hungarian]	
TINSZ2136GHZZ	AS	N	D	Operation manual SCANNER [Czechoslovakia]	
TINSZ2137GHZZ	AS	N	D	Operation manual SCANNER [Polish]	

26 MFP Control PWB (ARM350/M450/350M/450M/ARM11)

NO.	PARTS CODE	PRICE RANK	NEW MARK	PART RANK	DESCRIPTION
1	PCAPH0010GCZZ	AD		D	Jumper (JM-2W-96) [JP2,3,4,5,6,7]
2	PCOVP1468FCZZ	AD		D	FAX battery cover
3	QCNCM0041QSZZ	AP		C	Connector (TX25-100P12) [CN2,9,12]
4	QCNCM1146FCZZ	AE	N	C	Connector (9A12-1034) [CN14]
5	QCNCM1148FCZZ	AP	N	C	Connector (TX25100P6ST) [CN16]
6	QCNCW0946FCZZ	AH		C	Connector (36pin) [CN1]
7	QCNCW1147FCZZ	AL	N	C	Connector (TX2450RLTH1) [CN13]
8	QCNCW1149FCZZ	AN	N	C	Connector (8AL068S305C) [CN8]
9	QFS-D132CQCZZ	AG		A	Fuse (1.25/250T) [F1]
10	QFSHB0028FCZZ	AC		C	Fuse holder (TP00351-31) [F1]
11	QPIN-0003GCZZ	AC		C	Pin (T3B-SQ) [JP2,3,4,5,6,7,7]
12	QSOCZ0001QSZZ	AL		C	Socket (DMM168-FLAA2-3A133) [CN3]
13	QSOCZ0073FCZZ	AL		C	Connector (72pin) [CN4,5,6]
14	QSOCZ0079FCZZ	AN		C	Connector (100pin) [AR350M/450M][CN7]
15	QSOCZ6428ACZZ	AE		C	IC socket (28pin) [IC36]
16	RCRSP6676RCZZ	AG		B	Crystal (32.768KHz) [X6]
17	RCRUA0005FCZZ	AP		B	Crystal (14.745) [X7]
18	RCRUA0007FCZZ	AP		B	Crystal (31.554) [X4]
19	RCRUA0008FCZZ	AP		B	Crystal (40.57M) [X2]
20	RCRUA0009FCZZ	AP		B	Crystal (66.666MHZ) [X3,5]
21	RCRUA0012FCZZ	AP		B	Crystal (66M) [X1]
22	RFILN0048FCZZ	AC		C	Coil (BLM10B121SB) [L2,3]
23	RFILN0051FCZZ	AC	N	C	Coil (MMZ1608D121B) [L25-30,33,34]
24	RMPTR4100ACZZ	AB		B	Block resistor (10Ω×4) [BR6-13,15-25,28,29]
	RMPTR4100ACZZ	AB		B	Block resistor (10Ω×4) [BR33-44,46,48,53-72]
25	RMPTR4103ACZZ	AB		B	Block resistor (10KΩ×4) [BR1-5,14,26,27,30,31,32]
	RMPTR4103ACZZ	AB		B	Block resistor (10KΩ×4) [BR74,76,78,80-102]
26	RMPTR4330ACZZ	AB		B	Block resistor (33Ω×4) [BR47,49,50,51,73,75,77,79]
27	RMPTR4472ACZZ	AB		B	Block resistor (4.7KΩ×4) [BR52,45]
28	UBATI0014FCZZ	AN		B	Battery (CR2477-H01) [BT1]
29	VCCCCZ1HH101J	AA		C	Capacitor (50WV 100pF) [C7,8,10,17,18,20,22,30,33]
	VCCCCZ1HH101J	AA		C	Capacitor (50WV 100pF) [C35,38,39,40,43,47,48,51]
30	VCCCCZ1HH220J	AA		C	Capacitor (50WV 22pF) [C61]
31	VCEAPH1HC105M	AC		C	Capacitor (50WV 1μF) [C181,188,205,206]
32	VCEAPS1AC227M	AD		C	Capacitor (10WV 220μF) [C309,310]
33	VCEAPS1CC106M	AC		C	Capacitor (16WV 10μF) [C1,6,21,75,94,111,125,165]
	VCEAPS1CC106M	AC		C	Capacitor (16WV 10μF) [C166,169,178,179,223,224]
34	VCEAPS1CC226M	AC		C	Capacitor (16WV 22μF) [C57,64,90,114,115,136,170,176]
35	VCEAPS1CC476M	AC		C	Capacitor (16WV 47μF) [C95,167,168,180]
36	VCKYCZ1CF104Z	AB		C	Capacitor (16WV 0.10μF) [C3,9,11,12,13,14,23-29]
	VCKYCZ1CF104Z	AB		C	Capacitor (16WV 0.10μF) [C31,32,34,36,37,41,42,44,45]
	VCKYCZ1CF104Z	AB		C	Capacitor (16WV 0.10μF) [C46,49,50,52,53,54,55,56]
	VCKYCZ1CF104Z	AB		C	Capacitor (16WV 0.10μF) [C58,59,60,62,63,65,66,67]
	VCKYCZ1CF104Z	AB		C	Capacitor (16WV 0.10μF) [C68,70,71,72,73,74,76-82]
	VCKYCZ1CF104Z	AB		C	Capacitor (16WV 0.10μF) [C85,86,87,88,89,91,92,93]
	VCKYCZ1CF104Z	AB		C	Capacitor (16WV 0.10μF) [C96,97,98,99,100,102-108]
	VCKYCZ1CF104Z	AB		C	Capacitor (16WV 0.10μF) [C110,112,113,116-124,126]
	VCKYCZ1CF104Z	AB		C	Capacitor (16WV 0.10μF) [C127,128,130,131,132,133]
	VCKYCZ1CF104Z	AB		C	Capacitor (16WV 0.10μF) [C134,135,137,139,140-145]
	VCKYCZ1CF104Z	AB		C	Capacitor (16WV 0.10μF) [C149,151,153-164,172,173]
	VCKYCZ1CF104Z	AB		C	Capacitor (16WV 0.10μF) [C177,182,183,185,186,187]
	VCKYCZ1CF104Z	AB		C	Capacitor (16WV 0.10μF) [C189-199,201,202,204]
	VCKYCZ1CF104Z	AB		C	Capacitor (16WV 0.10μF) [C208-222,235-262]
	VCKYCZ1CF104Z	AB		C	Capacitor (16WV 0.10μF) [C264-279,292-303]
37	VCKYCZ1HB102K	AA		C	Capacitor (50WV 1000pF) [C129]
38	VCKYCZ1HF103Z	AA		C	Capacitor (50WV 0.01μF) [C69,109]
39	VHDDAP202U/-1	AB		B	Diode (DAP202U) [D7,10]
40	VHDRB451F///-1	AD		B	Diode (RB451F) [D12,14,20,21]
41	VHDRLS73////-1	AA		B	Diode (RLS73) [D8,9]
42	VHi65946P07-1	BA		B	IC (65946P07) [IC32]
43	VHi74LCX08MTC	AE		B	IC (74LCX08MTC) [IC46,26]
44	VHi74LCX14MTC	AE		B	IC (74LCX14MTC) [IC43]
45	VHi74LCX244MT	AG		B	IC (74LCX244MT) [IC12]
46	VHi74LCX32MTC	AE		B	IC (74LCX32MTC) [IC11]
47	VHi74LVX16128	AP		B	IC (74LVX16128) [IC15]
48	VHi90LV17AW-1	AP		B	IC (90LV17AW) [IC18]
49	VHiDS14C238//	AT		B	IC (DS14C238) [IC42]
50	VHiEEP64-120P	AW		B	IC (EEP64-120P) [IC36]
51	VHiHG73C095-1	AY		B	IC (HG73C095) [IC53]
52	VHiKSOU1347-1	BN		B	IC (KSOU1347) [IC19]
53	VHiLCX157MT-1	AG		B	IC (LCX157MT) [IC14]
54	VHiLCX16244-1	AM		B	IC (LCX16244) [IC21,49,50]
55	VHiLCX16245-1	AM		B	IC (LCX16245) [IC16,24,31,51,52]
56	VHiLCX16373-1	AM		B	IC (LCX16373) [IC34]
57	VHiLCX74MTC-1	AE		B	IC (LCX74MTC) [IC10]
58	VHiLM393D+-+1	AE		B	IC (LM393D) [IC39]
59	VHiLVT240MT-1	AL		B	IC (LVT240MT) [IC8]
60	VHiM87J4810-1	BK		B	IC (M87J4810) [IC25]
61	VHiN2370R04-1	AF		B	IC (N2370R04) [IC23]
62	VHiN2370R33-1	AF		B	IC (N2370R33) [IC54]

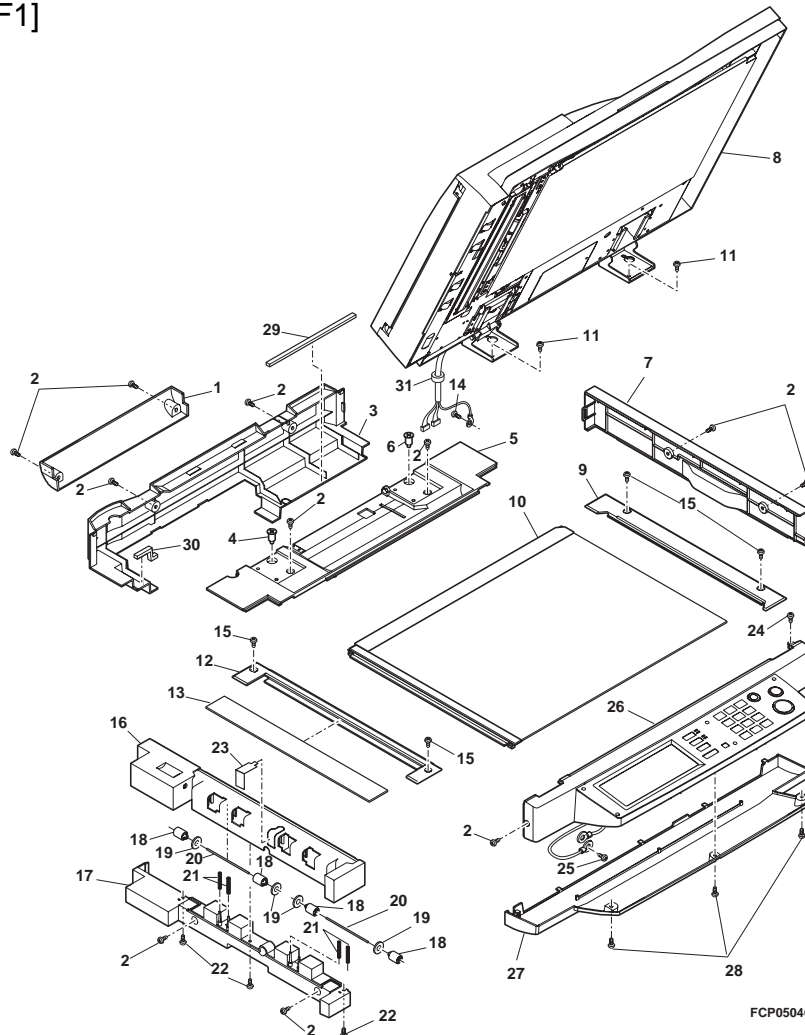
26 MFP Control PWB (ARM350/M450/350M/450M/ARM11)

NO.	PARTS CODE	PRICE RANK	NEW MARK	PART RANK	DESCRIPTION
63	VHiN2391D25-1	AG		B	IC (N2391D25) [IC35,33]
64	VHiNJM317DL-1	AK		B	IC (NJM317DL) [IC2]
65	VHiNJU6356E-1	AK		B	IC (NJU6356E) [IC40]
66	VHiPi6C2309-1	AR		B	IC (Pi6C2309) [IC9,29]
67	VHiPM2500+-1	BP		B	IC (PM2500) [IC13]
68	VHiPST598DN-1	AF		B	IC (PST598DN) [IC47]
69	VHiPST598iN-1	AF		B	IC (PST598I) [IC48]
70	VHiSD4M16L1-1	AZ		B	IC (SD4M16L1) [IC22]
71	VHiSD8M16L1-1	BB		B	IC (SD8M16L1) [IC4,5,6,7,27]
72	VHiSR1024-7LL	AU		B	IC (SR1024-7LL) [IC55,56]
73	VHiT4955A20-1	BF		B	IC (T4955A20) [IC20]
74	VHiTD62503F-1	AF		B	IC (TD62503F) [IC38,41,44,45]
75	VHP1LHEE-002A	AC		B	LED (Red) (1LHEE-002A) [D13]
76	VHV1608C080-1	AC		B	Varistor (1608C080) [RV1-6]
77	VHViCPS1.2/-1	AF		B	IC protocrot (ICPS1.2) [Q1]
78	VRS-CZ1JD000J	AA		C	Resistor (1/16W 0Ω ±5%) [R1,3,32,33,49,77,94,97,106]
	VRS-CZ1JD000J	AA		C	Resistor (1/16W 0Ω ±5%) [R108,120,141,166,198,220,222]
	VRS-CZ1JD000J	AA		C	Resistor (1/16W 0Ω ±5%) [R225,229,232,233,290-307]
	VRS-CZ1JD000J	AA		C	Resistor (1/16W 0Ω ±5%) [R310-348,399,400,406]
	VRS-CZ1JD000J	AA		C	Resistor (1/16W 0Ω ±5%) [R407,409,410,413,414]
79	VRS-CZ1JD100J	AA		C	Resistor (1/16W 10Ω ±5%) [R36,59,64,65,96,116,118,126]
	VRS-CZ1JD100J	AA		C	Resistor (1/16W 10Ω ±5%) [R127,136,137,149,161,170,177,185]
80	VRS-CZ1JD101J	AA		C	Resistor (1/16W 100Ω ±5%) [R9,10,101,102,109,180]
	VRS-CZ1JD101J	AA		C	Resistor (1/16W 100Ω ±5%) [R181,183,235,236]
81	VRS-CZ1JD102J	AA		C	Resistor (1/16W 1.0KΩ ±5%) [R11,129,130,134,151,204]
	VRS-CZ1JD102J	AA		C	Resistor (1/16W 1.0KΩ ±5%) [R205,243,244,253,268,279]
82	VRS-CZ1JD103J	AA		C	Resistor (1/16W 10KΩ ±5%) [R12,13,15,16,18,20,44,45]
	VRS-CZ1JD103J	AA		C	Resistor (1/16W 10KΩ ±5%) [R60,61,62,70,72,73,86,91]
	VRS-CZ1JD103J	AA		C	Resistor (1/16W 10KΩ ±5%) [R93,112,115,123,131,139]
	VRS-CZ1JD103J	AA		C	Resistor (1/16W 10KΩ ±5%) [R144,154,158,159,160,163]
	VRS-CZ1JD103J	AA		C	Resistor (1/16W 10KΩ ±5%) [R165,167,168,203,207,208]
	VRS-CZ1JD103J	AA		C	Resistor (1/16W 10KΩ ±5%) [R213,216,217,230,237,238]
	VRS-CZ1JD103J	AA		C	Resistor (1/16W 10KΩ ±5%) [R239,240,241,242,245,246]
	VRS-CZ1JD103J	AA		C	Resistor (1/16W 10KΩ ±5%) [R249,254,259,260,261,263]
	VRS-CZ1JD103J	AA		C	Resistor (1/16W 10KΩ ±5%) [R264,267,269,271,272,273]
83	VRS-CZ1JD183J	AA		C	Resistor (1/16W 18KΩ ±5%) [R274,282,283,284,285]
	VRS-CZ1JD220J	AA		C	Resistor (1/16W 22Ω ±5%) [R275,280]
84	VRS-CZ1JD220J	AA		C	Resistor (1/16W 22Ω ±5%) [R14,17,19,24,27,30,31,34]
	VRS-CZ1JD220J	AA		C	Resistor (1/16W 22Ω ±5%) [R35,37,39,40,43,46,51,54]
85	VRS-CZ1JD222J	AA		C	Resistor (1/16W 22Ω ±5%) [R57,247,252]
	VRS-CZ1JD222J	AA		C	Resistor (1/16W 220Ω ±5%) [R403,404]
86	VRS-CZ1JD222J	AA		C	Resistor (1/16W 2.2KΩ ±5%) [R199,200,209,210,211,212]
	VRS-CZ1JD222J	AA		C	Resistor (1/16W 2.2KΩ ±5%) [R218,223,248,265,266,276]
87	VRS-CZ1JD330J	AA		C	Resistor (1/16W 33Ω ±5%) [R25,38,41,47,48,52,56,58,66]
	VRS-CZ1JD330J	AA		C	Resistor (1/16W 33Ω ±5%) [R67,68,69,92,117,138,142]
	VRS-CZ1JD330J	AA		C	Resistor (1/16W 33Ω ±5%) [R143,147,148,152,153,173]
	VRS-CZ1JD330J	AA		C	Resistor (1/16W 33Ω ±5%) [R174,175,176,187,188,]
88	VRS-CZ1JD332J	AA		C	Resistor (1/16W 33Ω ±5%) [R214,288,289]
	VRS-CZ1JD333J	AA		C	Resistor (1/16W 3.3KΩ ±5%) [R215,119]
89	VRS-CZ1JD333J	AA		C	Resistor (1/16W 33KΩ ±5%) [R179,107]
90	VRS-CZ1JD470J	AA		C	Resistor (1/16W 47Ω ±5%) [R53,55,308,309]
91	VRS-CZ1JD472J	AA		C	Resistor (1/16W 4.7KΩ ±5%) [R63,71,74,76,87,100,111,121]
	VRS-CZ1JD472J	AA		C	Resistor (1/16W 4.7KΩ ±5%) [R122,124,128,133,146,162,164]
	VRS-CZ1JD472J	AA		C	Resistor (1/16W 4.7KΩ ±5%) [R184,206,221,224,226,227,228]
	VRS-CZ1JD472J	AA		C	Resistor (1/16W 4.7KΩ ±5%) [R231,250,251,262,270,277]
92	VRS-CZ1JD511J	AA		C	Resistor (1/16W 510Ω ±5%) [R278]
93	VRS-CZ1JD750J	AA		C	Resistor (1/16W 75Ω ±5%) [R114,145]
94	VRS-CZ1JD823J	AA		C	Resistor (1/16W 82KΩ ±5%) [R202]
95	VSDTC114EK/-1	AB		B	Transistor (DTC114EK) [Q3]
96	VSDTC114YK/-1	AC		B	Transistor (DTC114YK) [Q4]
97	VSUPA502T// -1	AD		B	Transistor (UPA502T) [Q5,6,7]

27 Exteriers[AR-EF1]

NO.	PARTS CODE	PRICE RANK	NEW MARK	PART RANK	DESCRIPTION
1	GCAB-0943FCZZ	AK	N	D	Rear lower cabinet
2	XHBSE40P08000	AA		C	Screw (4x8)
3	PCOVP1566FCZZ	AS	N	D	Upper cabinet rear cover
4	LX-BZ0842FCZZ	AG		C	SPF screw
5	GCAB-0942FCZZ	AP	N	D	Upper cabinet rear
6	LX-BZ0776FCZZ	AG		C	Screw R
7	GCAB-0945FCZZ	AR	N	D	Upper cabinet right
8	DUNT-7133DSZZ	CZ	N	E	DSPF unit
	DUNT-7132DSZZ	CY	N	E	SPF unit
9	LFIX-0544FCZZ	AG	N	D	Glass fixing right
10	CGLSP0003RS51	BC	N	B	Table glass (Japan)
	CGLSP0003RS52	BF	N	B	Table glass EX (Except Japan)
11	XBTSC50P16000	AA		C	Screw (5x16)
12	LFIX-0543FCZZ	AG	N	D	Glass fixing left
13	CGLSP0102DS51	BF	N	B	White datum glass unit
14	XHBSD30P06000	AA		C	Screw (3x6)
15	XBTSE40P06000	AA		C	Screw (4x6)
16	PGIDM1900FCZZ	AR	N	C	Delivery upper PG SPF
17	PGIDM1901FCZZ	AQ	N	C	Delivery lower PG
18	NROLP0011QSZZ	AD		C	Delivery support roller
19	PSP0-0001QSZZ	AB		C	Sponge
20	NSFTZ2601FCZZ	AH	N	C	Delivery support roller shaft 1
21	MSPRC2865FCZ1	AB	N	C	Delivery support spring
22	XEBSE30P08000	AA		C	Screw (3x8)
23	PCOVP1624FCZZ	AC	N	D	Stap cover
24	LX-BZ0465FCZZ	AA		C	Screw (4x6)
25	XHBSD30P08000	AA		C	Screw (3x8)
26	CPNLC0244DS51	CV	N	D	MFP operation panel (Japan)
	CPNLC0244DS52	CT	N	D	MFP operation panel (Except Japan)
27	LDAIU0627FCZZ	AZ	N	D	Operation base
28	XEBSE40P08000	AA		C	Screw (4x8)
29	PMLT-1256FCZZ	AC	N	C	Dustproof cushion 1
30	PMLT-1257FCZZ	AB	N	C	Dustproof cushion 2
31	RCORF0041FCZZ	AH	N	C	Core (UFR25-12-15)

27 Exteriers[AR-EF1]

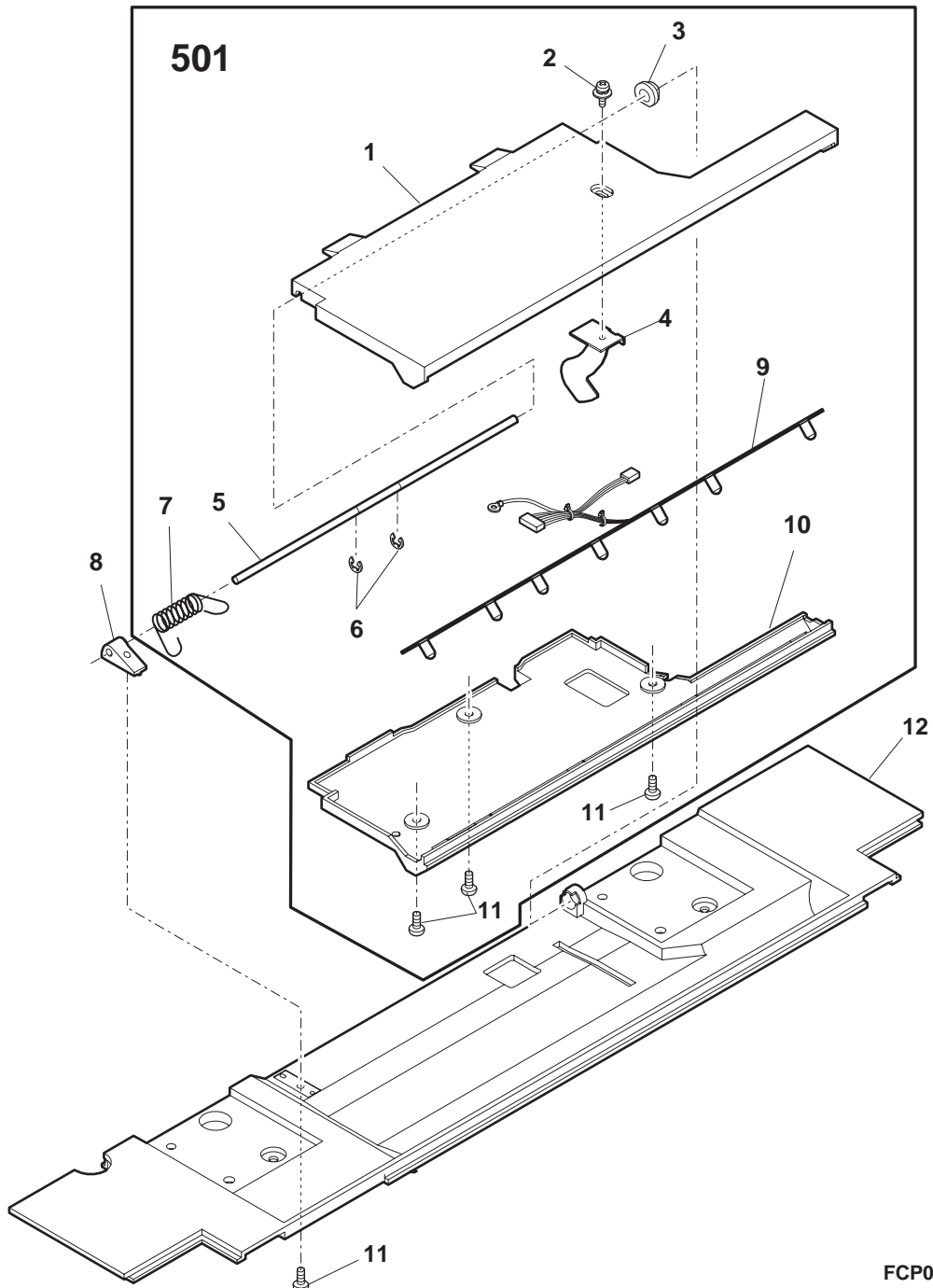


FCP05046

28 Original detect unit[AR-EF1]

NO.	PARTS CODE	PRICE RANK	NEW MARK	PART RANK	DESCRIPTION
1	MARMP0148FCZ2	AK	N	C	Original detect arm lower
2	XBPSD30P06KS0	AA		C	Screw (3x6KS)
3	LBSHZ1102CCZZ	AC		C	Rubber roller bushing 1
4	PSLDH0178FCZZ	AD		C	Original detect shield plate
5	NSFTZ1805FCZZ	AE		C	Original detect fulcrum shaft
6	XRESP30-06000	AA		C	E type ring
7	MSPRT1563FCZZ	AC		C	Original detect spring
8	LHLDZ1085FCZ2	AD	N	C	Original detect fulcrum TIG
9	CPWBF1453FCE1	BN	N	E	ORS emission PWB
10	MARMP0147FCZ2	AK	N	C	Original detect arm upper
11	XEPSD30P05000	AA		C	Screw (3x5)
12	GCAB-0942FCZZ	AP	N	D	Upper cabinet rear
501	CARMP0147DS51	BA	N	E	ORS emission unit

28 Original detect unit[AR-EF1]

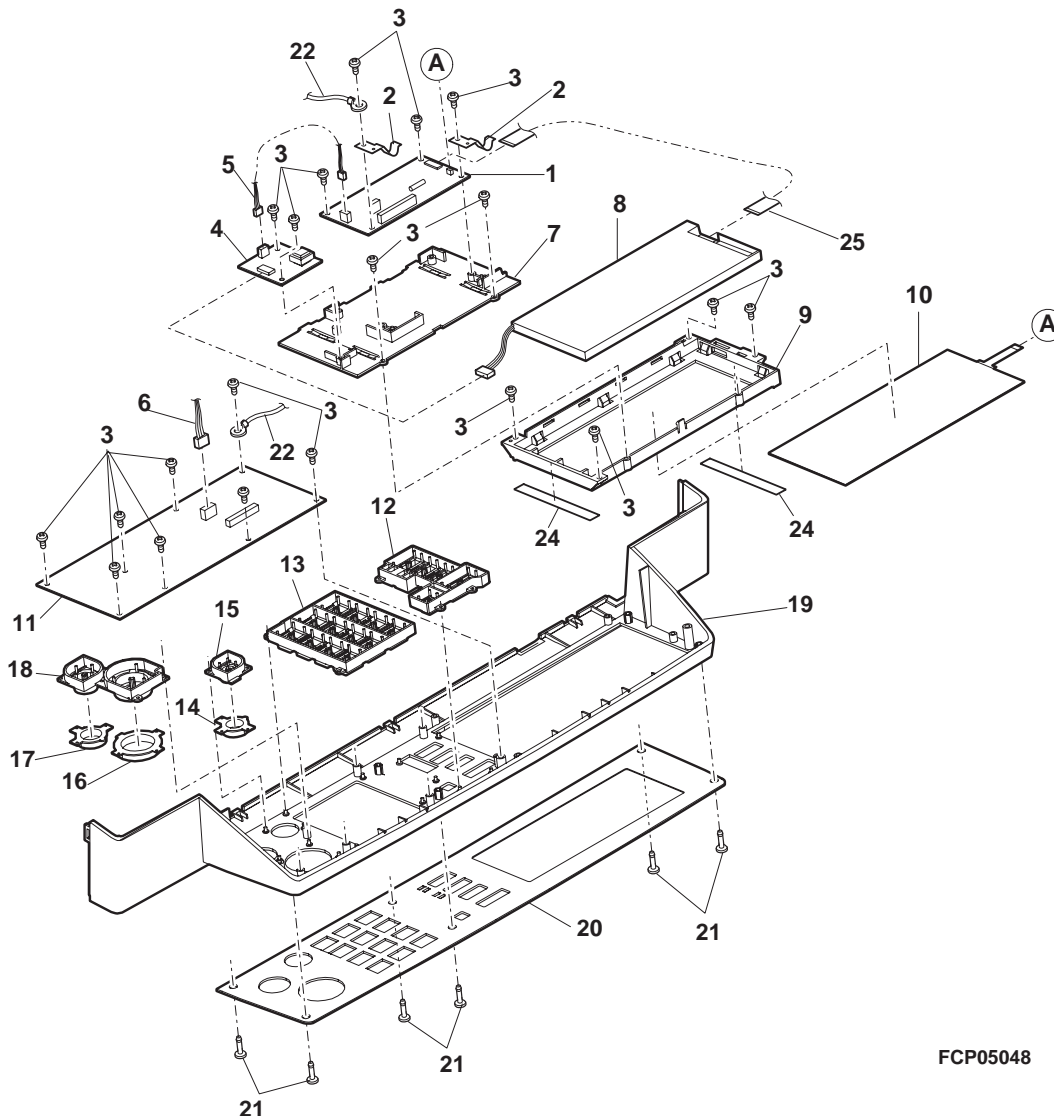


FCP05047

29 Operation panel unit[AR-EF1]

NO.	PARTS CODE	PRICE RANK	NEW MARK	PART RANK	DESCRIPTION
1	CPWBN1471FCE1	BF	N	E	LVDS PWB
2	MSPRP3009FCZZ	AD	N	C	LCD earth plate spring
3	XEPSD30P08000	AA	N	C	Screw (3x8)
4	CPWBF1470DS51	BN	N	E	Inverter PWB
5	DHAi-3192FCZZ	AD	N	C	INV interface harness
6	DHAi-3191FCZZ	AF	N	C	ORS PD harness
7	LHLDZ1459FCZZ	AE	N	C	LCD holder B
8	VVLLM065HB1-1	CB	N	B	LCD module
9	LHLDZ1458FCZZ	AF	N	C	LCD holder A
10	HPNLH0246FCZZ	BF	N	D	Touch panel
11	CPWBF1469FCE1	BN	N	E	MFP OPE PWB
12	CBTN-0253FC01	AN	N	E	Change key Assy
13	CBTN-0252FC01	AP	N	E	Ten key Assy
14	CFiLW0284FC01	AF	N	D	C key smoke Assy
15	CBTN-0251FC01	AF	N	E	C key Assy
16	CFiLW0282FC01	AF	N	D	Copy key smoke Assy
17	CFiLW0283FC01	AF	N	D	CA key smoke Assy
18	CBTN-0250FC01	AH	N	E	Copy key Assy
19	HPNLC0244FCZZ	AZ	N	D	Operation panel A
20	CPNLC0245FC01	AY	N	D	Operation panel B (Japan)
	CPNLC0245FC02	AY	N	D	Operation panel B EX-E (Except Japan)
21	LPiNS0014QSGZ	AC	N	C	Fixing pin C
22	DHAi-3193FCZZ	AC	N	C	Panel earth harness
24	PSHEZ4906FCZZ	AC	N	C	Touch panel sheet
25	QCNW-0166FCZZ	AE	N	C	LCD interface FFC

29 Operation panel unit[AR-EF1]



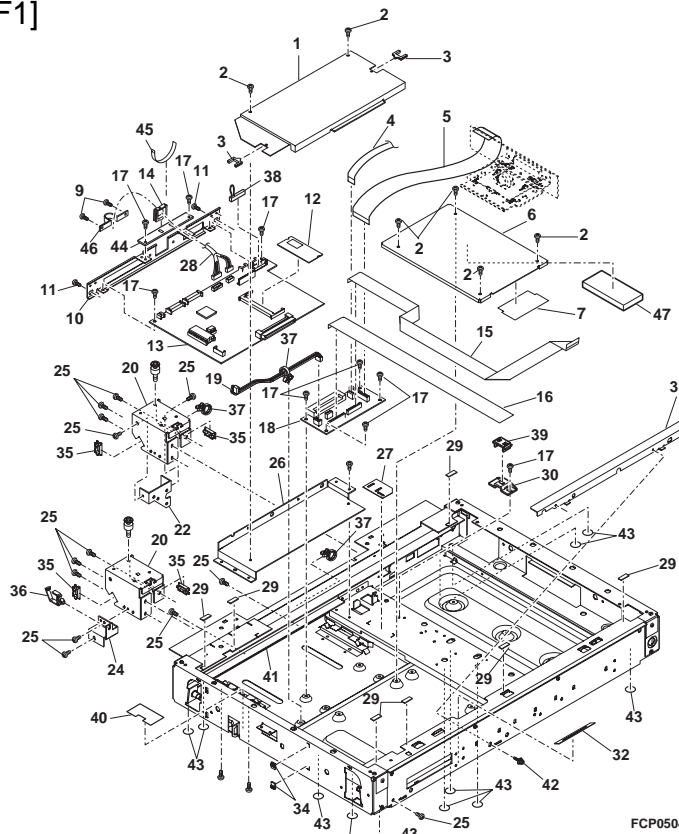
FCP05048



**30** Optical unit 1[AR-EF1]

NO.	PARTS CODE	PRICE RANK	NEW MARK	PART RANK	DESCRIPTION
1	PCOVP1599FCZZ	AG	N	D	Harness cover B
2	XHBSD30P04000	AA		C	Screw (3x4)
3	LHLDW1115FCZZ	AD		C	Edge bushing
4	QCNW-0168FCZZ	AE	N	C	CL interface FFC
5	QCNW-0167FCZZ	AM	N	C	CCD interface FFC
6	PCOVP1600FCZZ	AF	N	D	Harness cover C
7	PSHEP4932FCZZ	AD	N	C	Harness fixing sheet 4
9	XBBSE30P06000	AA		C	Screw (3x6)
10	LPLTM5723FCZZ	AG	N	C	SCN PWB fixing plate
11	XHBSE40P08000	AA		C	Screw (4x8)
12	VHi28F081L02C	BB	N	B	Scanner flash unit
13	CPWBN1450FCE1	BF	N	E	Scanner control PWB
14	LHLDW1115FCZZ	AD		C	Edge bushing
15	QCNW-0165FCZZ	AH	N	C	MFPOP interface FFC
16	QCNW-0181FCZZ	AH	N	C	LVDS interface FFC
17	XBBSD40P06000	AA		C	Screw (4x6)
18	CPWBN1451DS51	BF	N	E	Scanner interface PWB
19	DHAI-3152FCZZ	AF	N	C	Stamp interface harness
20	LPLTM5720FCZZ	AK	N	C	OC fixing plate
22	LPLTM5927FCZZ	AF	N	C	Dry heater fixing plate
24	LPLTM5877FCZZ	AE	N	C	Base reinforce plate
25	XHBSD30P06000	AA		C	Screw (3x6)
26	PCOVP1598FCZZ	AL	N	D	Harness cover A
27	PSHEZ4842FCZZ	AD	N	C	Harness fixing sheet 2
28	DHAI-3303FCZZ	BC	N	C	MFP interface cable
29	PGUMS0283FCZ1	AA	N	C	Table glass cushion
30	LDAIU0610FCZZ	AE		D	Harness fixing base
31	LRALM0183FCZZ	AG	N	C	MB-B rail F
32	PSHEZ4843FCZZ	AC	N	C	Harness fixing sheet 3
34	LHLDW1007LCZZ	AD		C	Mini clamp (MN-1)
35	LHLDW0595FCZZ	AC		C	Edge holder (EDS2)
36	LHLDW1264FCZZ	AD		C	Wire holder (LWS-8S-2.5W)
37	LBNDJ0043FCZZ	AA		C	Snap band (SG-130)
38	DHAI-3153FCZZ	AC	N	C	PNC harness
39	LFIX-0537FCZZ	AD		C	Harness fixing plate
40	PSHEZ4841FCZ1	AD	N	C	Harness fixing sheet 1
41	LRALM0184FCZZ	AG	N	C	MB-B rail R
42	LX-BZ0004QSZZ	AB		C	Screw
43	PSHEZ4836FCZZ	AB	N	C	Screw protect sheet
44	LPLTP5960FCZZ	AE	N	C	SCN cable fixing plate
45	LHLDW1201CCZZ	AA		C	SK holder
46	LFIX-0569FCZZ	AD	N	C	SCN fixing cable
47	PMLT-1282FCZZ	AE	N	C	FFC fixing cushion

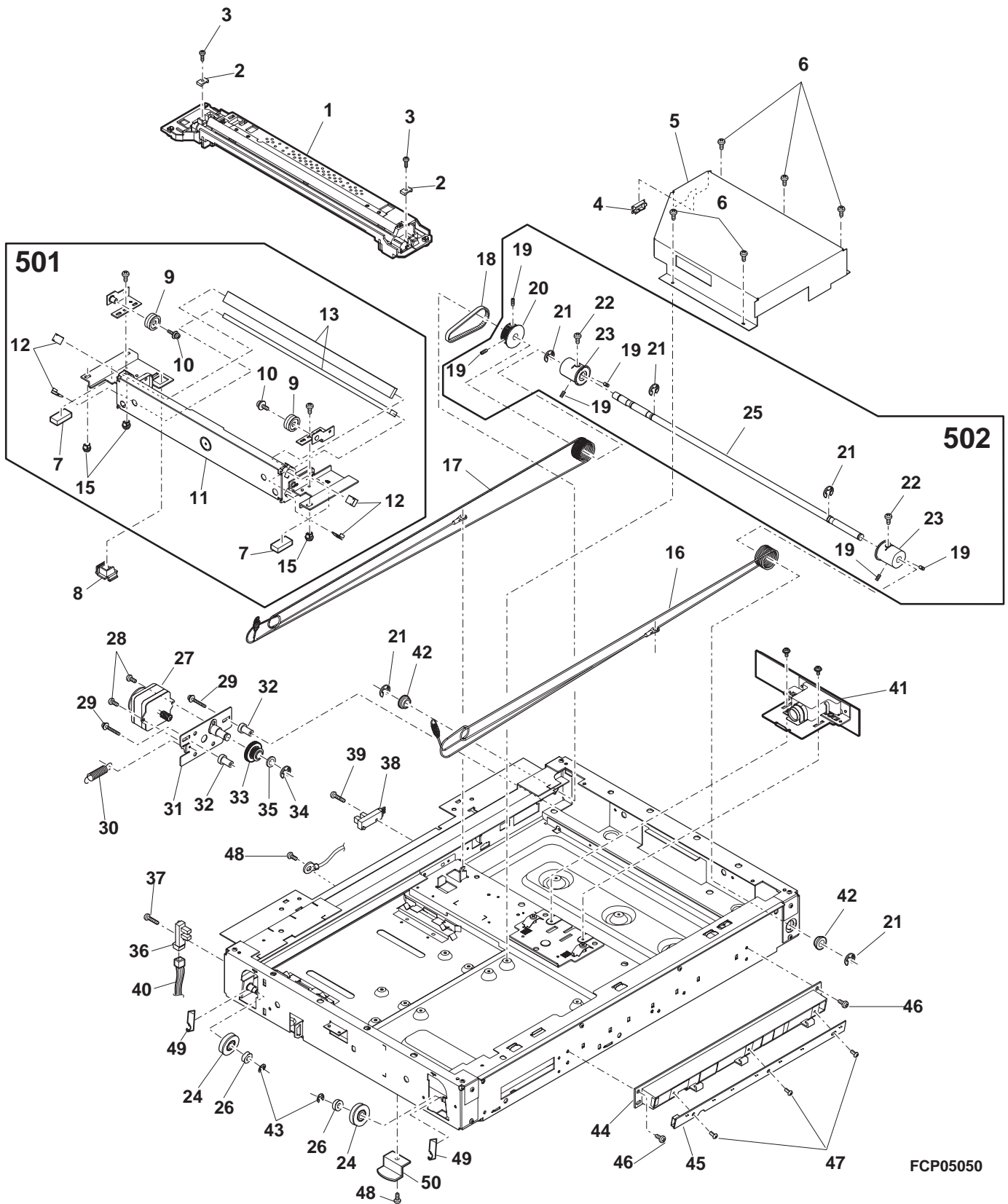
**30** Optical unit 1[AR-EF1]



FCP05049



31 Optical unit 2[AR-EF1]

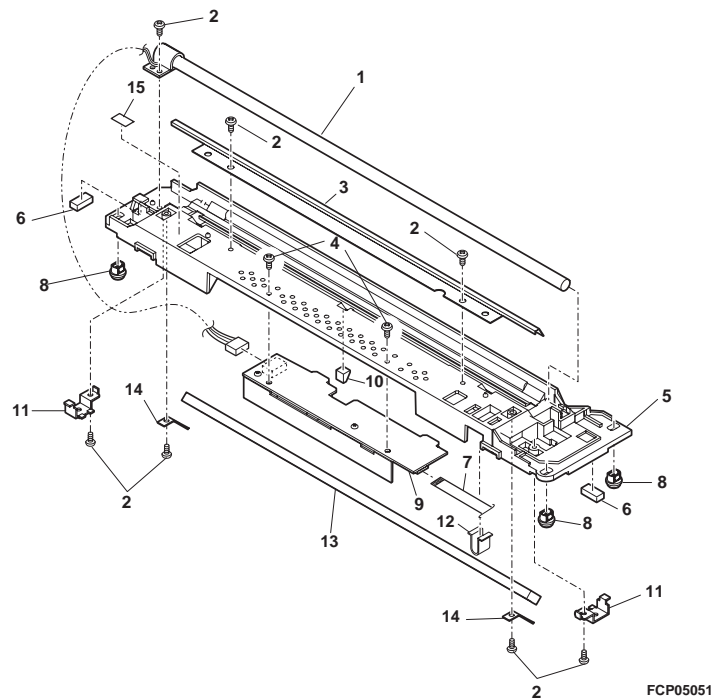


FCP05050

**32** Lamp unit[AR-EF1]

NO.	PARTS CODE	PRICE RANK	NEW MARK	PART RANK	DESCRIPTION
△ 1	R L M P D 0 6 5 8 F C Z Z	BA	N	B	Lamp
2	X E B S D 3 0 P 0 8 0 0 0	AA		C	Screw (3×8)
3	P R E F L 0 1 7 2 F C Z Z	AK		B	Reflector
4	X B B S D 3 0 P 1 2 0 0 0	AA		C	Screw (3×12)
5	L D A i U 0 6 1 9 F C Z Z	AT	N	C	Lamp base
6	P C U S U 0 2 0 3 F C Z Z	AE		C	Protection cushion
7	Q C N W - 0 1 6 8 F C Z Z	AE	N	C	CL interface FFC
8	M S L i - 0 1 3 8 F C Z Z	AC		C	Slider
9	C P W B F 1 4 4 9 F C 3 1	BH	N	E	Inverter PWB
10	P C U S F 0 3 3 4 F C Z Z	AP		C	Mirror cushion
11	L S T Y M 0 2 6 1 F C Z Z	AB	N	C	Wire support plate
12	L F i X - 0 5 4 5 F C Z Z	AC	N	C	CL read harness fixing
13	P M i R - 0 1 6 4 F C Z Z	AP	N	B	1st mirror
14	M S P R P 2 8 2 5 F C Z Z	AC	N	C	Mirror spring
15	T L A B Z 4 3 3 5 F C Z Z	AB		D	HV caution label
	(Unit)				
△ 901	C D A i U 0 6 1 9 D S 5 1	BF	N	E	Lamp unit

**32** Lamp unit[AR-EF1]



**33** DSPF Assembly section[AR-EF1]

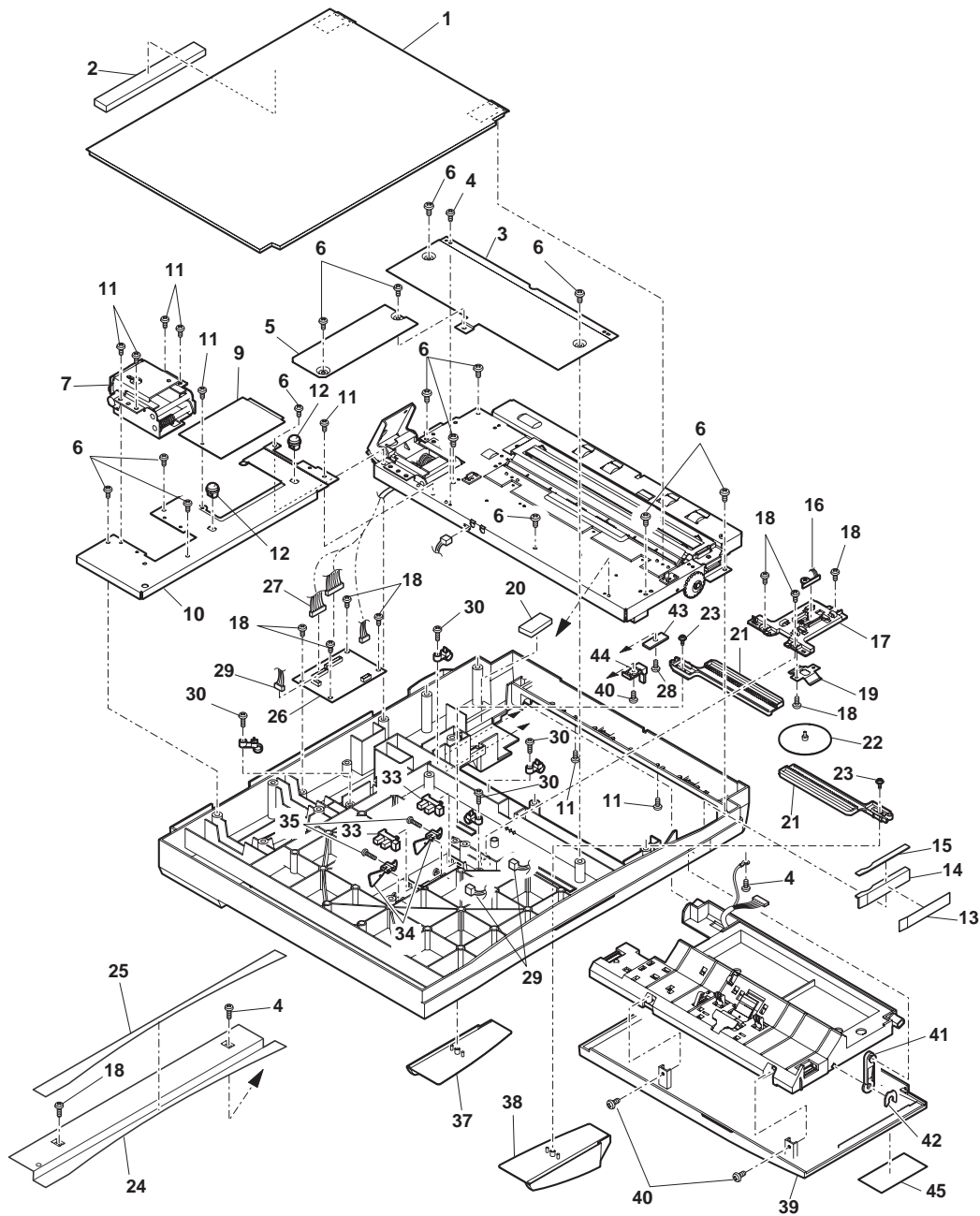
NO.	PARTS CODE	PRICE RANK	NEW MARK	PART RANK	DESCRIPTION
1	P S H E Z 4 8 4 5 F C Z Z	AV	N	C	OC mat
2	P M L T - 1 2 8 6 F C Z Z	AD	N	C	OC cushion
3	P C O V P 1 5 9 5 F C Z Z	AG	N	D	Rack cover
4	X H B S E 3 0 P 0 6 0 0 0	AA		C	Screw (3×6)
5	P C O V P 1 6 1 5 F C Z Z	AE	N	D	Length detect cover N
6	X E B S E 4 0 P 1 0 0 0 0	AA		C	Screw (4×10)
7	M H N G - 0 2 0 8 F C Z Z	BA	N	C	SPF hinge R
9	P C O V P 1 5 1 8 F C Z Z	AE		D	ICU ROM cover
10	L P L T M 5 8 8 7 F C Z Z	AL	N	C	Hinge joint plate
11	X H B S E 4 0 P 0 8 0 0 0	AA		C	Screw (4×8)
12	L F i X - 0 5 6 8 F C Z Z	AC	N	C	Original detect fixing
13	P T P E - 0 2 6 5 F C Z Z	AC	N	C	Cover tape
14	P C O V P 1 6 4 4 F C Z Z	AD	N	C	F cover L
15	P G U M S 0 2 9 8 F C Z Z	AC	N	C	Cover rubber L
16	C P W B F 1 5 0 1 D S 5 1	BN	N	E	SPF VR PWB
17	L P L T P 5 7 4 3 F C Z Z	AF		C	Width detect fixing plate
18	X E B S D 3 0 P 0 8 0 0 0	AA		C	Screw (3×8)
19	M S P R P 2 8 3 0 F C Z Z	AA		C	Width detect spring
20	P G U M S 0 2 9 6 F C Z Z	AD	N	C	Cushion
21	N G E R R 1 3 8 6 F C Z Z	AE		C	Width detect rack
22	N G E R P 1 3 8 5 F C Z Z	AF		C	Width detect pinion
23	X E P S D 3 0 P 0 6 X 0 0	AA		C	Screw (3×6X)
24	P C O V P 1 6 4 5 F C Z Z	AH	N	C	F cover R
25	P G U M S 0 2 9 9 F C Z Z	AH	N	C	Cover rubber R
26	C P W B F 1 4 5 9 D S 5 1	BN	N	E	SPF PWB

### 33 DSPF Assembly section[AR-EF1]

NO.	PARTS CODE	PRICE RANK	NEW MARK	PART RANK	DESCRIPTION
27	DHAi-3166FCZZ	AY	N	C	DSPF body interface harness
28	XESSE30P08000	AA		C	Screw (3x8)
29	DHAi-3161FCZZ	AK	N	C	SPF size detect harness
30	XEBSE30P10000	AA		C	Screw (3x10)
33	VHPGP1A73A+-1	AG		B	Photo sensor (GP1A73A)
34	MLEVP0794FCZZ	AC	N	C	Length detect actuator
35	XEBSD40P16000	AA		C	Screw (4x16)
37	LPLTP5778FCZZ	AG	N	D	Adjust plate R
38	LPLTP5777FCZZ	AG	N	D	Adjust plate F
39	PCOVP1549FCZZ	AU	N	D	Upper cover
40	XEBSE30P08000	AA		C	Screw (3x8)
41	MARMP0243FCZZ	AD		C	Manual feeding tray arm
42	PRNGP0090FCZZ	AA		C	Ring (E5)
43	LPLTM2573FCZ1	AD		C	ADF MG plate
44	LPLTP5938FCZZ	AC	N	C	Shading plate N
45	TLABH4440FCZZ	AF		D	Original read label

(Japan)

### 33 DSPF Assembly section[AR-EF1]

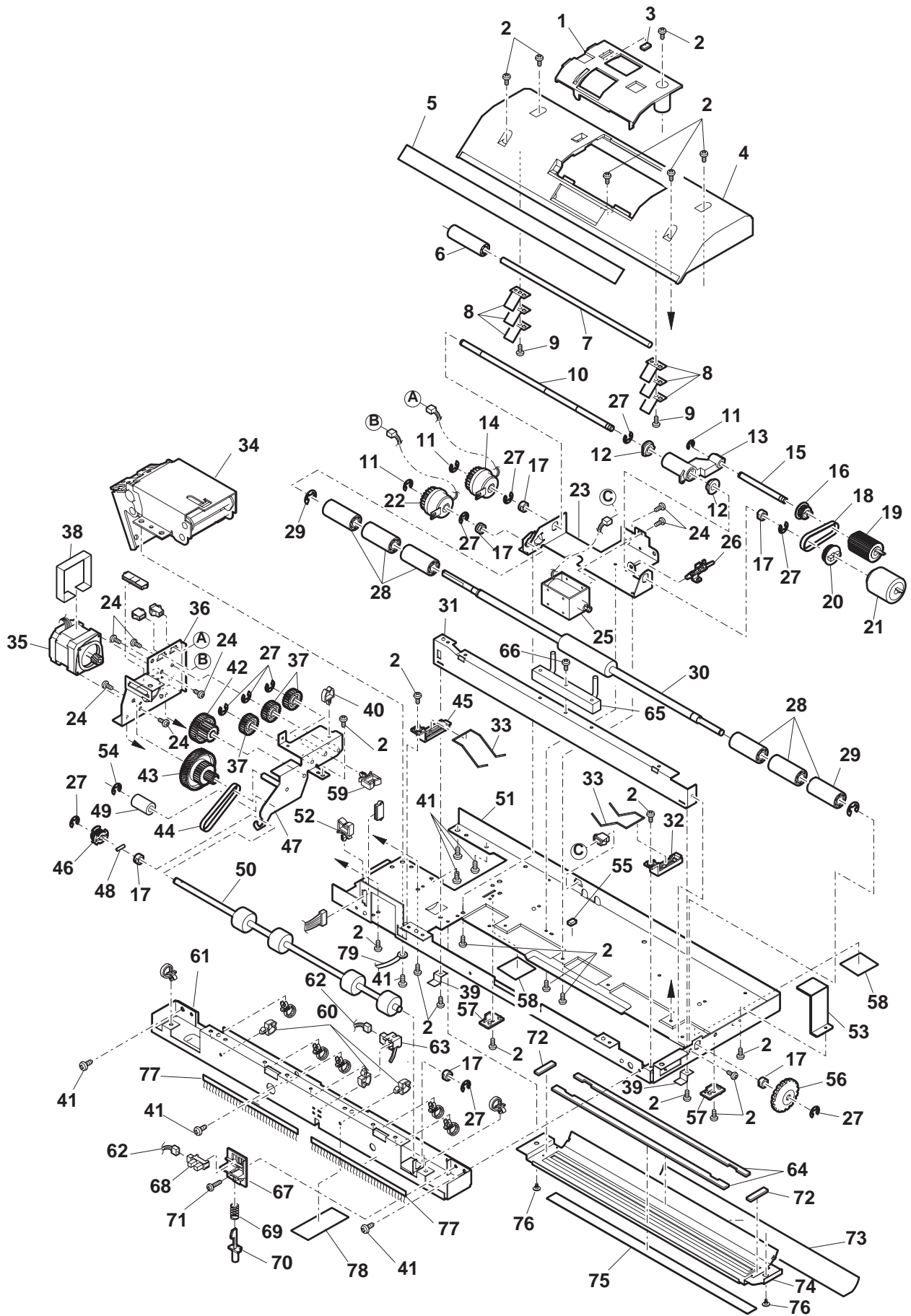


FCP05052

34 DSPF Paper feed unit[AR-EF1]

NO.	PARTS CODE	PRICE RANK	NEW MARK	PART RANK	DESCRIPTION
1	PCOV P1594FCZZ	AG	N	D	Roller cover
2	XHBSE30P06000	AA		C	Screw (3x6)
3	PMLT-1272FCZZ	AB	N	C	Damper cushion 3
4	PGIDM1953FCZZ	AS	N	C	Paper feed PG SPF
5	PSHEP4915FCZZ	AE	N	C	PS rear mylar
6	PCLR-0471FCZZ	AG	N	C	PS support roller
7	NSFTZ2600FCZZ	AM	N	C	PS support shaft
8	MSPRP2878FCZZ	AC	N	C	PS support plate spring
9	XEBSD30P08000	AA		C	Screw (3x8)
10	NSFTZ2599FCZ1	AW	N	C	Separate roller shaft SPF
11	XRESP40-06000	AA		C	E type ring
12	NBRGC0136FCZZ	AC		C	Bearing (M6)
13	LHLDZ1483FCZZ	AF		C	Paper feed rotation plate
14	PCLC-0303FCZZ	AT	N	B	Separate clutch
15	NSFTZ2678FCZZ	AL	N	C	Pick up shaft
16	NPLYZ0398FCZZ	AC		C	Pick up roller pulley (22P)
17	NBRGM0096FCZ1	AB		C	Bearing
18	NBLTH0363FCZZ	AG	N	B	Belt (S2M120)
19	NRÖLR1312FCZZ	AN		C	Pick up roller
20	NPLYZ0397FCZZ	AK		C	Paper feed roller pulley (28P)
21	NRÖLR1317FCZZ	AP		C	Separate roller
22	PCLC-0302FCZZ	AT	N	B	PS clutch SPF
23	LPLTM5928FCZZ	AG	N	C	Paper feed base plate SPF
24	XBBSD30P06000	AA		C	Screw (3x6)
25	RPLU-0336FCZZ	AS	N	B	Pick up solenoid
26	MARMP0284FCZZ	AC	N	C	Pick up joint arm N
27	XRESP50-06000	AA		C	E type ring
28	NRÖLP1364FCZZ	AC		C	Delivery roller M
29	XRESP70-08000	AA		C	E type ring
30	NRÖLR1318FCZZ	AR	N	C	PS roller SPF
31	LSTYM0288FCZZ	AK	N	C	CIS stay
32	LHLDZ1485FCZZ	AC	N	C	SP holder F
33	MSPRD3002FCZZ	AC	N	C	Spring N
34	MHNG-0209FCZZ	BC	N	C	DSPF hinge L
35	RMÖTS0876FCZZ	BD	N	B	SPF motor N
36	LFRM-1022FCZZ	AK	N	D	Drive frame
37	NGERH1477FCZZ	AC	N	C	Gear (24T)
38	PSHEZ4949FCZZ	AE	N	C	Motor sheet
39	MSPRP3011FCZZ	AC	N	C	Earth plate spring
40	LHLDW1009ACZZ	AA		C	Clamp
41	XHBSE40P08000	AA		C	Screw (4x8)
42	NGERH1476FCZZ	AD	N	C	Gear (35T/18T)
43	NGERH1478FCZZ	AE	N	C	Gear (55T/28T/18P)
44	NBLTH0364FCZZ	AG	N	B	Belt (S2M130)
45	LHLDZ1486FCZZ	AC	N	C	SP holder R
46	NPLYZ0375FCZZ	AC		C	Pulley (22T)
47	CPLTM5882FC02	AN	N	C	Drive plate
48	LPI NS1031HCZZ	AA		C	Spring pin
49	PCLR-0426FCZZ	AD		C	Slide roller
50	NRÖLR1320FCZZ	AQ	N	C	Delivery roller SPF
51	LPLTM5884FCZZ	AW	N	C	Base tray reinforce plate N
52	LHLDW0429FCZZ	AB		C	Wire holder (WS-2NS)
53	LPLTM5785FCZZ	AC	N	C	MG plate
54	XRESP20-04000	AA		C	E type ring
55	PMLT-1270FCZZ	AB	N	C	Damper cushion 1
56	JKNBZ0141FCZZ	AH	N	C	Jam release knob
57	LPLTM5889FCZZ	AC	N	C	Datum plate
58	PSHEP4846FCZZ	AD	N	C	OC mat mylar R
59	LHLDW2101SCZZ	AB		C	Cable clamp
60	LHLDW1009ACZZ	AA		C	Clamp
61	LPLTM5929FCZZ	AR	N	C	Delivery roller fixing plate
62	DHA i-3281FCZZ	AH	N	C	SPF delivery sensor harness
63	QSW-Z0531FCZZ	AL		B	Delivery jam sensor
64	PCUSS0372FCZZ	AD	N	C	CIS cushion 1
65	LSTPP0359FCZZ	AE	N	C	PS fornt stopper
66	XHBSD30P14000	AA		C	Screw (3x14)
67	LHLDZ1484FCZZ	AC	N	C	Open/close holder
68	VHPGP1A73A+-1	AG		B	Photo sensor (GP1A73A)
69	MSPRC3001FCZZ	AB	N	C	Open/close detect spring N
70	MLEVP0837FCZZ	AC	N	C	Open/close actuator N
71	XHBSE30P10000	AA		C	Screw (3x10)
72	PCUSS0373FCZZ	AB	N	C	CIS cushion 2
73	PSHEP4916FCZ1	AF	N	C	White mylar
74	PGIDH1897FCZZ	AT	N	C	CIS paper guide
75	PGLSP0103FCZZ	AV	N	C	CIS glass
76	LX-BZ0931FCZZ	AC	N	C	Screw (M3)
77	PBRSS0209FCZZ	AG	N	B	Discharger glass SPF
78	PSHEZ4957FCZZ	AC	N	C	Delivery sheet
79	DHA i-3336FCZZ	AB	N	C	ESD harness DSPF

34 DSPF Paper feed unit[AR-EF1]

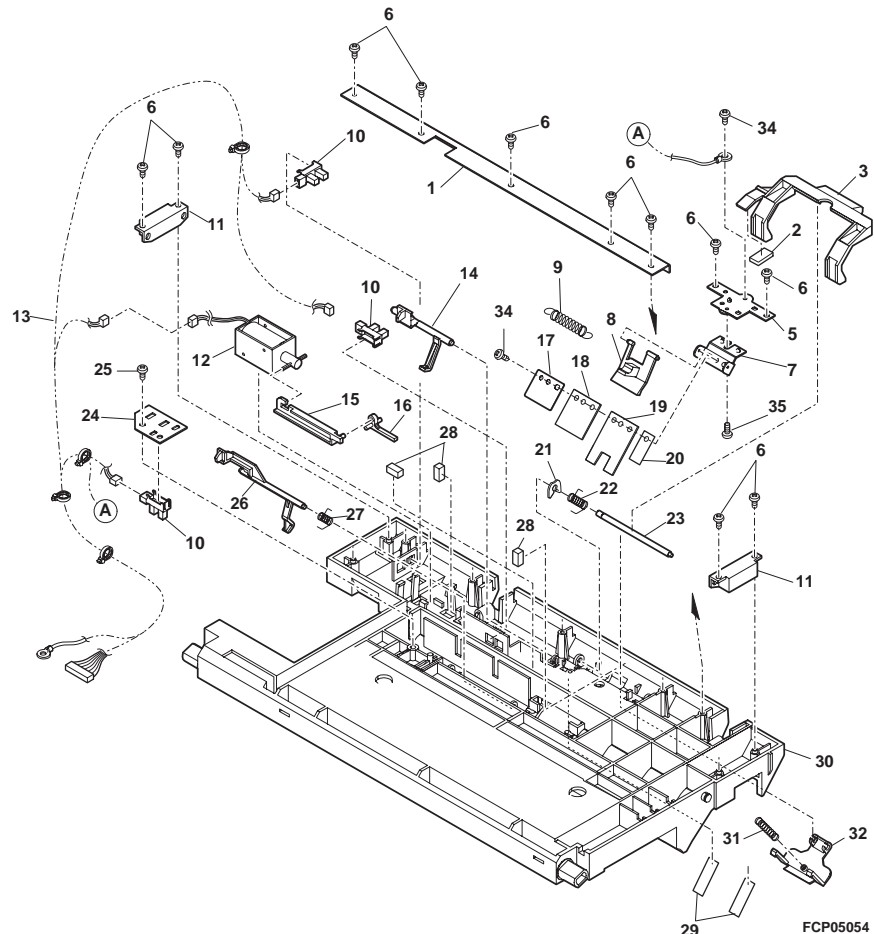


FCP05053

**35 DSPF Upper transfer unit[AR-EF1]**

NO.	PARTS CODE	PRICE RANK	NEW MARK	PART RANK	DESCRIPTION
1	LPLTM5891FCZZ	AE	N	C	Upper delivery rainforce plate
2	PMLT-1272FCZZ	AB	N	C	Damper cushion 3
3	LSTPP0353FCZZ	AE	N	C	Original stopper
5	LPLTM5930FCZZ	AD	N	C	Separate pad rainforce plate
6	XEBSD30P08000	AA		C	Screw (3×8)
7	CPLTM5746FC01	AE	N	C	Separate pad fixing plate AS
8	LPLTP5747FCZZ	AC	N	C	Separate plate
9	MSPRT2864FCZZ	AC	N	C	Pressure spring
10	VHPGP1A73A+-1	AG		B	Photo sensor (GP1A73A)
11	P MAGT0072FCZZ	AF		C	Magnet catch
12	RPLU-0347FCZZ	AQ	N	B	Gate solenoid
13	DHAi-3162FCZZ	AK	N	C	SPF paper feed harness
14	MLEVP0796FCZZ	AC	N	C	Set detect actuator
15	MARMP0248FCZZ	AE		C	MF gate joint arm
16	MLEVP0804FCZZ	AC	N	C	Stopper lever
17	MSPRP2832FCZZ	AC	N	C	Separate assistance plate spring
18	PSHEZ4878FCZZ	AC	N	C	Separate mylar upper
19	PSHEZ4847FCZZ	AL	N	C	Separate sheet
20	PSHEP4848FCZZ	AB	N	C	Separate mylar lower
21	LSTPP0314FCZZ	AA		C	E3 stopper
22	MSPRD2870FCZ1	AC	N	C	Stopper spring
23	NSFTZ2659FCZZ	AR	N	C	Fulcrum shaft
24	LPLTM5932FCZZ	AC		C	Tray 2 sensor fixing plate
25	XEBSE40P10000	AA		C	Screw (4×10)
26	MLEVP0797FCZZ	AC	N	C	PS front actuator
27	MSPRD2879FCZZ	AB	N	C	PS front actuator spring
28	PMLT-1271FCZZ	AB	N	C	Damper cushion 2
29	PSHEP4937FCZZ	AB	N	C	Fixing mylar
30	PGiDM1899FCZZ	AY	N	C	Upper delivery PG
31	MSPRT2863FCZZ	AB	N	C	Paper feed plate spring
32	LPLTP5748FCZZ	AD	N	C	Paper feed plate
34	XHBSE30P06000	AA		C	Screw (3×6)
35	XBBS230P10000	AA		C	Screw (3×10)

**35 DSPF Upper transfer unit[AR-EF1]**

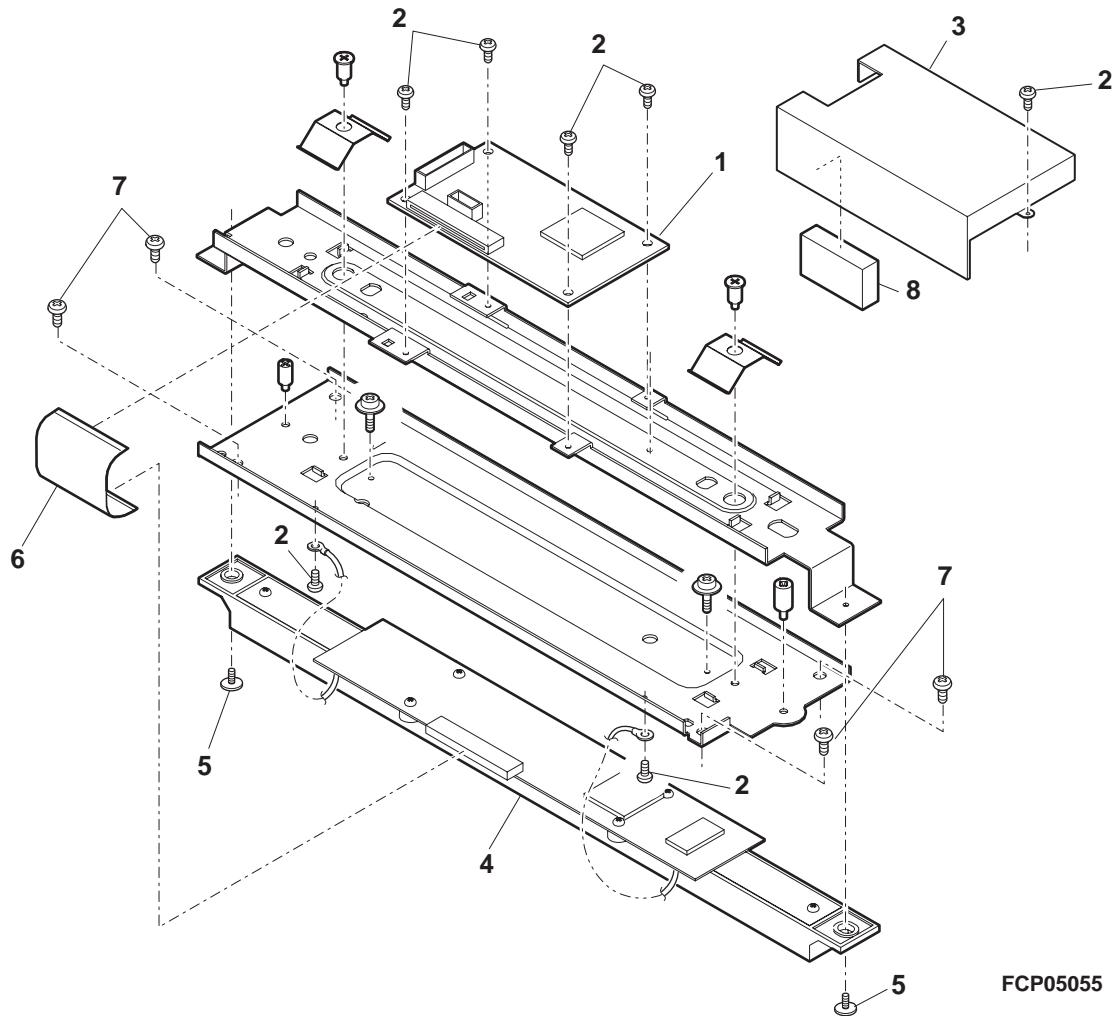




**36** DSPF CIS unit[AR-EF1]

NO.	PARTS CODE	PRICE RANK	NEW MARK	PART RANK	DESCRIPTION
1	CPWBN1458FCE1	BF	N	E	CIS control PWB
2	XBBS30P06000	AA		C	Screw (3x6)
3	PCOV1593FCZZ	AF	N	D	CIS PWB cover N
4	DUNT-7079FCZZ	CC	N	E	CIS unit
5	LX-BZ0680FCZZ	AB		C	Screw
6	QCNW-0170FCZZ	AH	N	C	CIS interface FFC
7	XBBS40P08000	AA		C	Screw (4x8)
8	PMLT-1284FCZZ	AE	N	C	Interface FFC fixing cushion

**36** DSPF CIS unit[AR-EF1]

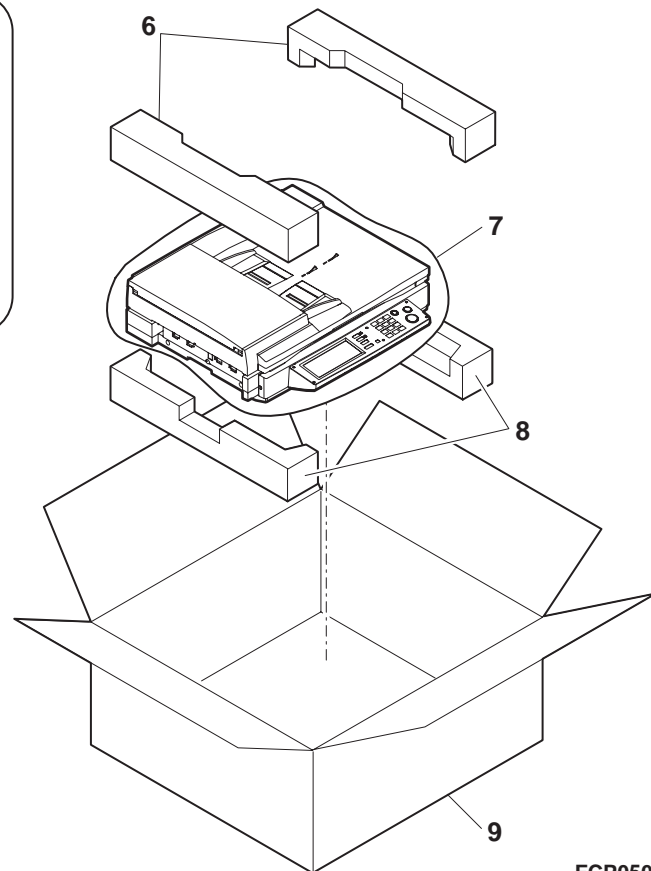
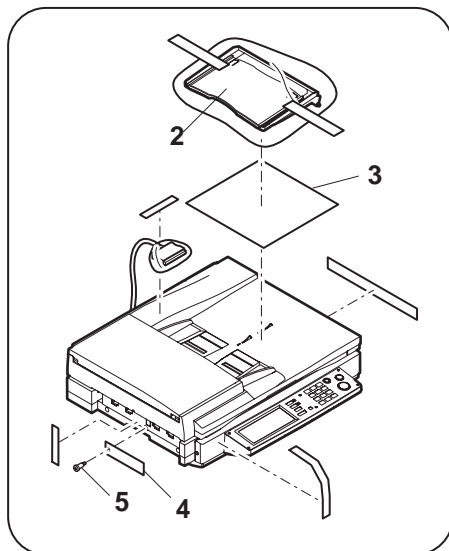
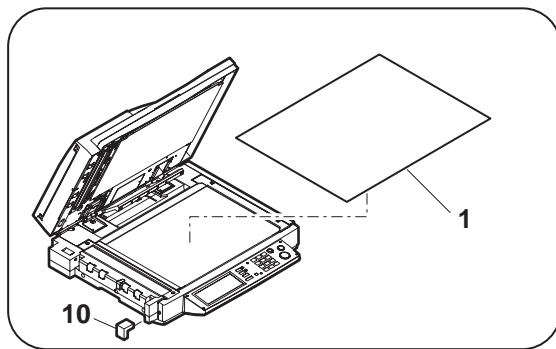


FCP05055

### 37 Packing Material & Accessories[AR-EF1]

NO.	PARTS CODE	PRICE RANK	NEW MARK	PART RANK	DESCRIPTION
1	SPAKA6075DSZZ	AA	N	D	RSPF protect sheet 1
2	LSOU-0177FCGZ	AP		D	Delivery tray T
	LSOU-0179FCZZ	AR		D	Delivery tray 1
3	SPAKA0307QSZZ	AD		D	Protect sheet FN5
4	TCADZ1178FCZZ	AB		D	Screw caution card
5	LX-BZ0787FCZZ	AH		C	Screw for 2/3 mirror lock
6	SPAKA6132FCZZ	AT	N	D	Packing add upper EF1
7	SSAKZ0003QSZZ	AF		D	Body vinyl bag
8	SPAKA6133FCZZ	AU	N	D	Packing add botom EF1
9	SPAKC6131DSZZ	AF	N	D	Packing case (Japan)
	SPAKC6131DS11	AF	N	D	Packing case (Except Japan)
10	SPAKA6265FCZZ	AC	N	D	Fusing protect add

### 37 Packing Material & Accessories[AR-EF1]



FCP05056

**38] MFP OPE PWB[AR-EF1]**

NO.	PARTS CODE	PRICE RANK	NEW MARK	PART RANK	DESCRIPTION
1	QCNCM1171FCZZ	AE	N	C	Connector (6pin) [CN2]
2	QCNCW1134FCZZ	AH		C	Connector (24pin) [CN1]
3	QSW-P0005QSZZ	AC		B	Tact switch (B3F-6102) [PRK,FAK,COK,JOK,CUK,1K,2K]
	QSW-P0005QSZZ	AC		B	Tact switch (B3F-6102) [3K,4K,5K,6K,7K,8K,9K]
	QSW-P0005QSZZ	AC		B	Tact switch (B3F-6102) [*K,K,#K,CLK,CAK,PSW]
4	RALMB1002LCZZ	AE		B	Alarm (PKM13EPY-4000-TF01) [BZ1]
5	RC-KZ0008QCZZ	AB	N	C	Capacitor (UP050F ZABZ) [C6]
6	RCRS-0007FCZZ	AD		B	Crystal (CSB480EB) [X1]
7	RH-DZ0016FCZZ	AB		B	Diode (MA700) [D1]
8	VCEAJU1CW476M	AB		C	Capacitor (16WV 47μF) [C1]
9	VCKYPU1EB223Z	AB		C	Capacitor (25WV 0.022μF) [C2,3]
10	VCKYPU1HB101K	AA		C	Capacitor (50WV 100PF) [C4,5]
11	VHD1SS133/-1	AA		B	Diode (1SS133) [D2,3]
12	VHIS1340AF+-1	AH		B	IC (S1340AF) [IC1]
13	VHP1LHLE-002A	AC		B	LED(Green) (LTL-1LHLE-002A) [PRT,FAX,COPY,JOB,PONL]
	VHP1LHLE-002A	AC		B	LED(Green) (LTL-1LHLE-002A) [PDATA,FCM,FDATA]
14	VHPLT9400E/-1	AK		B	LED (LT9400E) [RPL]
15	VRD-HT2EY101J	AA		C	Resistor (1/4W 100Ω ±5%) [R1]
16	VRD-HT2EY102J	AA		C	Resistor (1/4W 1.0KΩ ±5%) [R8]
17	VRD-HT2EY302J	AA		C	Resistor (1/4W 3.0KΩ ±5%) [R2]
18	VRD-HT2EY331J	AA		C	Resistor (1/4W 330Ω ±5%) [R3]
19	VRD-HT2EY471J	AA		C	Resistor (1/4W 470Ω ±5%) [R4,5,6,7]
20	VS2SC1740SR-1	AB		B	Transistor (2SC1740SR) [Q2]
21	VSDTC114YS/-1	AB		B	Transistor (DTC114YS) [Q1]
	(Unit)				
901	CPWBF1469FCE1	BN	N	E	MFP OPE PWB

**39] Scanner control PWB[AR-EF1]**

NO.	PARTS CODE	PRICE RANK	NEW MARK	PART RANK	DESCRIPTION
1	QCNCM0828FCZZ	AE		C	Connector (26pin) [CN13]
2	QCNCM0829FCZZ	AG		C	Connector (28pin) [CN12]
3	QCNCM1166FCZZ	AK	N	C	Connector (20pin) [CN18]
4	QCNCM1167FCZZ	AP	N	C	Connector (50pin) [CN19]
5	QCNCM7014SC1C	AC		C	Connector (13pin) [CN5]
6	QCNCM7022SC0C	AB		C	Connector (3pin) [CN10]
7	QCNCM7022SC0E	AB		C	Connector (5pin) [CN6]
8	QCNCM7022SC0F	AB		C	Connector (6pin) [CN7]
9	QCNCW0885FCZZ	AG		C	Connector (12pin) [CN14]
10	QCNCW7040XC8J	AP		C	Connector (80pin) [CN16]
11	QSOCZ0002QSZZ	AD		C	IC socket (8pin) [IC13]
12	QSOCZ0071FCZZ	AP		C	Socket (72pin) [SOCKET1]
13	QSOCZ6428ACZZ	AE		C	IC socket (28pin) [IC14]
14	RCRMZ6007RCZZ	AD		B	Resonator (4.19MHz) [X1]
15	RCRSZ0001QSZZ	AG		B	Crystal (19.6608MHz) [X2]
16	RFiLN0049FCZZ	AE	N	C	Filter [NF5,NF6,NF7,NF8,NF9,NF10]
17	RFiLN6012RCZZ	AB		C	EMI filter [NF1,NF4]
18	RFiLZ1005LCZZ	AB		C	EMI filter [NF3]
19	RH-iX2196SCZZ	AG		B	Regulator [IC5]
20	RMPTR4103ACZZ	AB		B	Block resistor (10KΩ×4) [BR9,BR3,BR4,BR7,BR8,BR10]
	RMPTR4103ACZZ	AB		B	Block resistor (10KΩ×4) [BR12,BR11,BR6,BR13,BR14,BR15]
	RMPTR4103ACZZ	AB		B	Block resistor (10KΩ×4) [BR16,BR17,BR18,BR20,BR21,BR22]
	RMPTR4103ACZZ	AB		B	Block resistor (10KΩ×4) [BR23,BR24,BR25,BR26,BR27,BR28]
	RMPTR4103ACZZ	AB		B	Block resistor (10KΩ×4) [BR29,BR30,BR5,BR19,BR1]
21	VCCCCZ1HH220J	AA		C	Capacitor (50WV 22pF) [C58,C60]
22	VCEAGA1AW476M	AA		C	Capacitor (10WV 47μF) [C46,C36]
23	VCEAGA1AW477M	AB		C	Capacitor (10WV 470μF) [C20,C24]
24	VCEAGA1CW477M	AB		C	Capacitor (16WV 470μF) [C10]
25	VCEAGA1HW224M	AA		C	Capacitor (50WV 0.22μF) [C73,C74]
26	VCEAGA1VW476M	AB		C	Capacitor (35WV 47μF) [C63]
27	VCEAZU1VW477M	AD		C	Capacitor (35WV 470μF) [C16]
28	VCKYCZ1CB103K	AA		C	Capacitor (16WV 0.010μF) [C76,C77,C78,C80]
29	VCKYCZ1EF223Z	AA		C	Capacitor (25WV 0.022μF) [C1,C11,C13,C14,C22,C23]
	VCKYCZ1EF223Z	AA		C	Capacitor (25WV 0.022μF) [C26,C19,C12,C37,C40,C41]
	VCKYCZ1EF223Z	AA		C	Capacitor (25WV 0.022μF) [C42,C47,C48,C49,C51,C57]
	VCKYCZ1EF223Z	AA		C	Capacitor (25WV 0.022μF) [C59,C61,C65,C66,C67,C68]
	VCKYCZ1EF223Z	AA		C	Capacitor (25WV 0.022μF) [C69,C71,C72,C21,C35,C50,C82]
	VCKYCZ1HB102K	AA		C	Capacitor (50WV 1000pF) [C2,C3,C4,C5,C6,C7]
30	VCKYCZ1HB102K	AA		C	Capacitor (50WV 1000pF) [C8,C9,C25,C27,C28,C29]
	VCKYCZ1HB102K	AA		C	Capacitor (50WV 1000pF) [C30,C31,C32,C33,C34,C39]
	VCKYCZ1HB102K	AA		C	Capacitor (50WV 1000pF) [C43,C44,C53,C64,C75,C79,C84]
	VCKYCZ1HB222K	AA		C	Capacitor (50WV 2200pF) [C45,C54,C55,C62]
32	VCKYCZ1HF103Z	AA		C	Capacitor (50WV 0.01μF) [C15,C18,C70,C81,C83]
33	VCCYNA1HM103K	AA		C	Capacitor (50WV 0.01μF) [C56]
34	VHDDAN202K/-1	AB		B	Diode (DAN202K) [D1,D3,D4,D18,D19,D20]
	VHDDAN202K/-1	AB		B	Diode (DAN202K) [D22,D23,D15,D14]

39 Scanner control PWB[AR-EF1]

NO.	PARTS CODE	PRICE RANK	NEW MARK	PART RANK	DESCRIPTION
35	VHDDAP202K/-1	AB		B	Diode (DAP202K) [D5,D16,D17,D24,D25,D26]
	VHDDAP202K/-1	AB		B	Diode (DAP202K) [D13,D12]
36	VHDDSM1D1/-1	AB		B	Diode (DSM1D1) [D21,D6]
37	VHDM1FL20U+-1	AC	N	B	Diode (M1FL20U) [D8,D9,D10,D11]
38	VHDM704A/-1	AC		B	Diode (MA704A) [D2]
39	VHEH2S3B3/-1	AB		B	Zener diode (HZS3B3) [D7]
40	VHi74VHC04M-1	AE	N	B	IC (74VHC04M) [IC8,IC18]
41	VHi74VHC32M-1	AD	N	B	IC (74VHC32M) [IC6]
42	VHi90LV17AW-1	AP		B	IC (90LV17AW) [IC21]
43	VHiD65943GJ-1	AY	N	B	IC (D65943GJ) [IC7]
44	VHiEES04L400P	AG		B	IC (EES04L400P) [IC13]
45	VHiH8S2322R-1	AZ		B	IC (H8S2322R) [IC11]
46	VHiHN58V65A-1	AW		B	IC (HN58V65A) [IC14]
47	VHiLM324D+-1	AE		B	IC (LM324D) [IC1]
48	VHiLM339D+-1	AE		B	IC (LM339D) [IC10]
49	VHiLV25612J-1	AQ		B	IC (LV25612J) [IC19]
50	VHiMTD1361F-1	AR		B	IC (MTD1361F) [IC9]
51	VHiTD62003AP1	AG		B	IC (TD62003AP1) [IC4,IC15,IC20]
52	VHiTD62503F/-	AG		B	IC (TD62503F) [IC12,IC17]
53	VHiVHC244SJ-1	AG	N	B	IC (VHC244SJ) [IC2,IC3]
54	VRD-HT2EY163J	AA		C	Resistor (1/4W 16KΩ ±5%) [R8,R9]
55	VRD-HT2EY911J	AA		C	Resistor (1/4W 910Ω ±5%) [R10]
56	VRS-CZ1JD000J	AA		C	Resistor (1/16W 0Ω ±5%) [R37]
57	VRS-CZ1JD101J	AA		C	Resistor (1/16W 100Ω ±5%) [R39]
58	VRS-CZ1JD102J	AA		C	Resistor (1/16W 1.0KΩ ±5%) [R7,R21,R47,R56]
59	VRS-CZ1JD103F	AA		C	Resistor (1/16W 10KΩ ±1%) [R46,R1]
60	VRS-CZ1JD103J	AA		C	Resistor (1/16W 10KΩ ±5%) [R5,R31,R29,R3,R6,R22]
	VRS-CZ1JD103J	AA		C	Resistor (1/16W 10KΩ ±5%) [R24,R25,R30,R41,R4,R55]
	VRS-CZ1JD103J	AA		C	Resistor (1/16W 10KΩ ±5%) [R28,R69]
61	VRS-CZ1JD122J	AA		C	Resistor (1/16W 1.2KΩ ±5%) [R16,R13,R19,R33,R52,R53]
62	VRS-CZ1JD151J	AA		C	Resistor (1/16W 150Ω ±5%) [R27]
63	VRS-CZ1JD203J	AA		C	Resistor (1/16W 20KΩ ±5%) [R48,R59,R62,R65]
64	VRS-CZ1JD222J	AA		C	Resistor (1/16W 2.2KΩ ±5%) [R12,R14,R15,R17,R18,R32]
	VRS-CZ1JD222J	AA		C	Resistor (1/16W 2.2KΩ ±5%) [R54,R11]
65	VRS-CZ1JD303F	AA		C	Resistor (1/16W 30KΩ ±1%) [R2]
66	VRS-CZ1JD303J	AA	N	C	Resistor (1/16W 30KΩ ±5%) [R51]
67	VRS-CZ1JD561J	AA		C	Resistor (1/16W 560Ω ±5%) [R35]
68	VRS-CZ1JD562J	AA		C	Resistor (1/16W 5.6KΩ ±5%) [R57,R58,R60,R61,R63,R64]
69	VRS-CZ1JD621J	AA		C	Resistor (1/16W 620Ω ±5%) [R34]
70	VRS-CZ1JD624J	AA	N	C	Resistor (1/16W 620KΩ ±5%) [R23]
71	VRS-CZ1JD681J	AA		C	Resistor (1/16W 680Ω ±5%) [R68]
72	VRS-CZ1JD752J	AA		C	Resistor (1/16W 7.5KΩ ±5%) [R26,R43,R44]
73	VRS-CZ1JD911J	AA	N	C	Resistor (1/16W 910Ω ±5%) [R38,R36]
74	VRS-RE3DA1R0J	AB		C	Resistor (2W 1.0Ω ±5%) [R20,R42]
75	VS2SB1197/-1	AC		B	Transistor (2SB1197) [Q8,Q9,Q10]
76	VS2SK3065+-1	AG	N	B	Transistor (2SK3065) [Q11]
77	VSDTA114YK/-1	AC		B	Transistor (DTA114YK) [Q2,Q3,Q6]
78	VSDTC114YK/-1	AC		B	Transistor (DTC114YK) [Q4,Q5,Q7]
79	VSUPA502T/-1	AD		B	Transistor (UPA502T) [Q1]
	(Unit)				
901	CPWBN1450FCE1	BF	N	E	Scanner control PWB

40 CIS Control PWB[AR-EF1]

NO.	PARTS CODE	PRICE RANK	NEW MARK	PART RANK	DESCRIPTION
1	QCNCM0880FCZZ	AF		C	Connector (26pin) [CN100]
2	QCNCM0923FC12	AE		C	Connector (12pin) [CN1]
3	QCNCW1160FCZZ	AD	N	C	Connector (FFC9604S35F) [CN2]
4	RFiLN6012RCZZ	AB		C	EMI filter (E103) [NF2,11]
5	RFiLZ1005LCZZ	AB		C	EMI filter (EXC-EMT103DT) [NF100,4,10,12,13]
6	VCCCCZ1HH101J	AA		C	Capacitor (50WV 100pF) [C4,5,8,9,10,11,22]
	VCCCCZ1HH101J	AA		C	Capacitor (50WV 100pF) [C23,24,25,31,32,33,34]
	VCCCCZ1HH101J	AA		C	Capacitor (50WV 100pF) [C40,48,49,51,52,53,60,61,62]
7	VCEAYU1EC476M	AC	N	C	Capacitor (25WV 47μF) [C3,15,26,28,41,54]
8	VCEAYU1VC476M	AC	N	C	Capacitor (25WV 47μF) [C18]
9	VCKYCZ1CF104Z	AB		C	Capacitor (35WV 0.10μF) [C100,1,2,7,12,13,17,27]
	VCKYCZ1CF104Z	AB		C	Capacitor (35WV 0.10μF) [C29,30,35,36,37,42,43]
	VCKYCZ1CF104Z	AB		C	Capacitor (35WV 0.10μF) [C45,46,50,55,58,63,64]
	VCKYCZ1CF104Z	AB		C	Capacitor (35WV 0.10μF) [C65,66]
10	VCKYCZ1HB102K	AA		C	Capacitor (50WV 1000pF) [C16,20,21,57,59]
11	VCKYCZ1HF103Z	AA		C	Capacitor (0.01μF/50V) [C6,14,19,38,39,44,56]
12	VHi74VHC04M-1	AE	N	B	IC (74VHC04M) [IC4]
13	VHi74VHCT240X	AF		B	IC (74VHCT240X) [IC100]
14	VHi7SZ125M5-1	AE	N	B	IC (7SZ125M5) [IC2]
15	VHi90LV27AW-1	AQ	N	B	IC (90LV27AW) [IC5]
16	VHiD82825GM-1	BK	N	B	IC (D82825GM) [IC1]

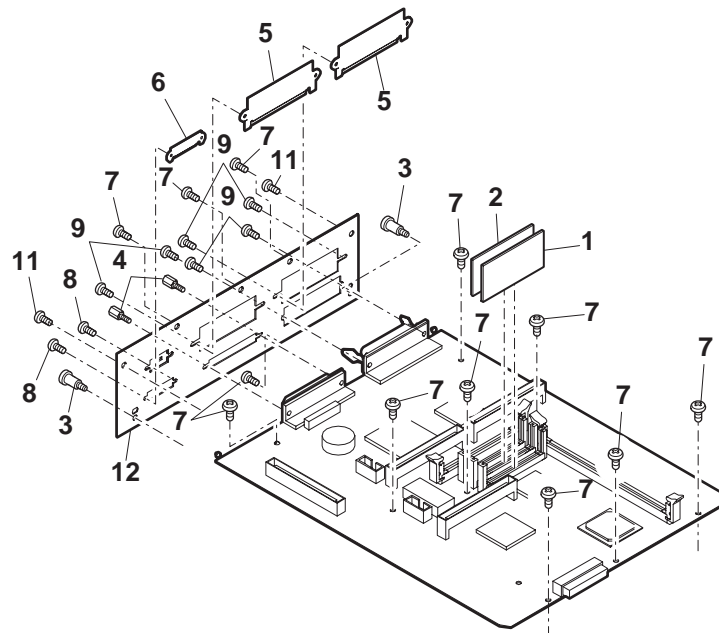
**40** CIS Control PWB[AR-EF1]

NO.	PARTS CODE	PRICE RANK	NEW MARK	PART RANK	DESCRIPTION
17	VH i F S 7 8 1 B Z B - 1	AP		B	IC (FS781BZB) [IC6]
18	VH i M 3 0 6 4 A T C - 1	AX	N	B	IC (M3064ATC) [IC7]
19	VH i V H C 2 4 4 S J - 1	AG	N	B	IC (VHC244SJ) [IC3]
20	VRS-CZ1JD000J	AA		C	Resistor (1/16W 0Ω ±5%) [R5,15,18,19,20,21,34]
	VRS-CZ1JD000J	AA		C	Resistor (1/16W 0Ω ±5%) [R35,43,44,45,46,48,49]
	VRS-CZ1JD000J	AA		C	Resistor (1/16W 0Ω ±5%) [R50,51,52,53,54,55,59]
21	VRS-CZ1JD101J	AA		C	Resistor (1/16W 100Ω ±5%) [R1,2,3,4,9,10,14,22]
	VRS-CZ1JD101J	AA		C	Resistor (1/16W 100Ω ±5%) [R23,24,25,37,38,39,40]
	VRS-CZ1JD101J	AA		C	Resistor (1/16W 100Ω ±5%) [R41,47,56,57]
22	VRS-CZ1JD102J	AA		C	Resistor (1/16W 1.0KΩ ±5%) [R100,17,26,27,28,29,30]
	VRS-CZ1JD102J	AA		C	Resistor (1/16W 1.0KΩ ±5%) [R31,32,33,36,42]
23	VRS-CZ1JD222J	AA		C	Resistor (1/16W 2.2KΩ ±5%) [R6,7,8,11,12,13]
24	VRS-CZ1JD332F	AA		C	Resistor (1/16W 3.3KΩ ±1%) [R58]
(Unit)					
901	CPWB N 1 4 5 8 F C E 1	BF	N	E	CIS control PWB

**41** MFP Controller PWB[AR-M11]

NO.	PARTS CODE	PRICE RANK	NEW MARK	PART RANK	DESCRIPTION
1	VH i 2 8 F 3 2 2 L 0 1 F	BE	N	B	MFP flash ROM A J (28F322L01F) [Japan]
	VH i 2 8 F 3 2 2 L 0 3 F	BF	N	B	MFP flash ROM A EX (28F322L03F) [except Japan]
2	VH i 2 8 F 3 2 2 L 0 2 F	BF	N	B	MFP flash ROM B J (28F322L02F) [Japan]
	VH i 2 8 F 3 2 2 L 0 4 F	BL	N	B	MFP flash ROM B EX (28F322L04F) [except Japan]
3	LX-BZ0828FCZZ	AD		C	Handle fixing screw
4	LX-BZ0921FCZ1	AE	N	C	Scanner Screw
5	PCÖVP1557FCZZ	AC		C	LAN/option cover
6	PCÖVP1560FCZZ	AC	N	C	FAX I/F cover
7	XBBS D 3 0 P 0 6 0 0 0	AA		C	Screw (3×6)
8	XBPS D 2 6 P 0 6 0 0 0	AA		C	Screw (2.6×6)
9	XBPS D 3 0 P 0 6 0 0 0	AA		C	Screw (3×6)
11	XHBSE30P06000	AA		C	Screw (3×6)
12	LPLTM5765FCZ1	AH	N	C	Control joint plate

**41** MFP Controller PWB[AR-M11]

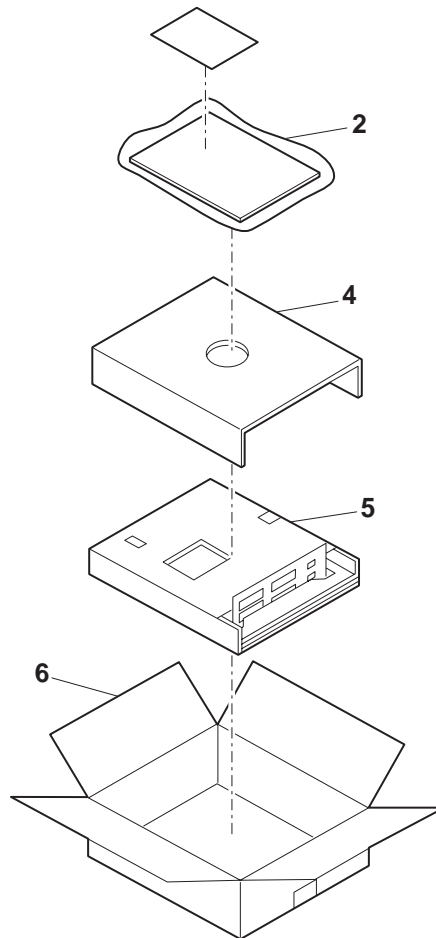


FCP05057

**42** Packing material & Accessories[ARM11]

NO.	PARTS CODE	PRICE RANK	NEW MARK	PART RANK	DESCRIPTION																						
2	SPAKP2792RCZZ	AE		D	Vinyl bag (460x500mm)																						
4	SPAKA6144FCZZ	AH	N	D	Packing add B																						
5	SPAKA6143FCZZ	AN	N	D	Packing add A																						
6	SPAKC6142FCZZ	AP	N	D	Packing case [Japan]																						
	SPAKC6142FC11	AP	N	D	Packing case [USA]																						
	SPAKC6142FC12	AP	N <td D	Packing case [Europe]	SPAKC6142FC13	AP	N	D	Packing case [Other countries]																		
	SPAKC6142FC13	AP	N	D	Packing case [Other countries]																						

**42** Packing material & Accessories[ARM11]

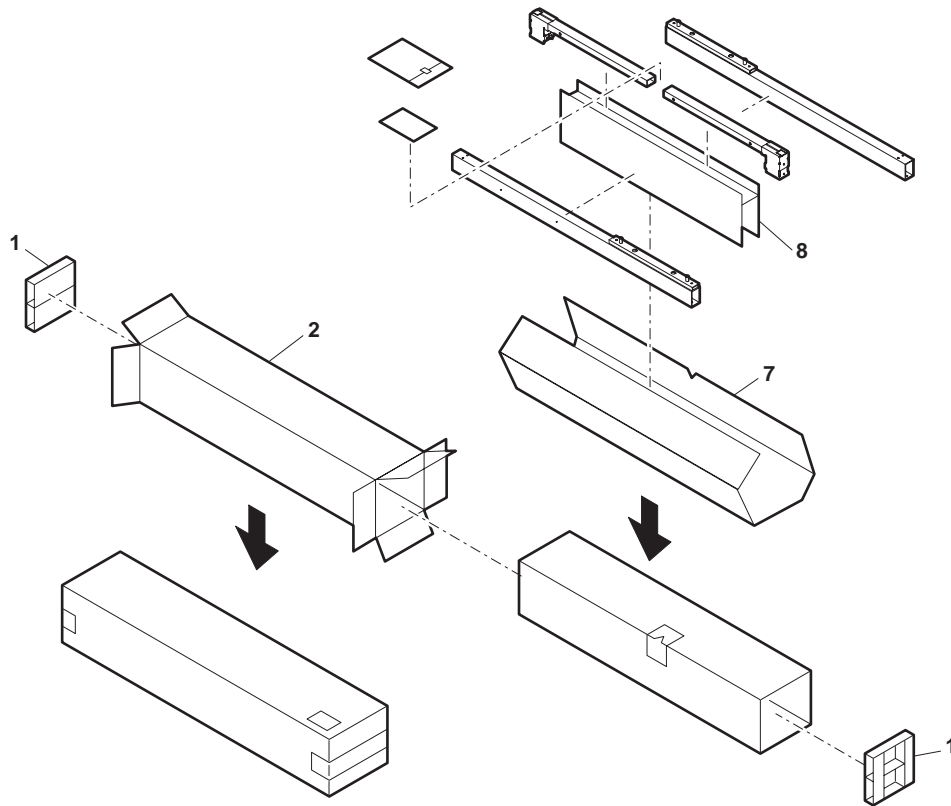


FCP05058

**43** Packing Material & Accessories[AR-RK1]

NO.	PARTS CODE	PRICE RANK	NEW MARK	PART RANK	DESCRIPTION
1	SPAKA6136FCZZ	AE	N	D	Protect add
2	SPAKC6134DSZZ	AT	N	D	Packing case (Japan)
	SPAKC6134DS11	AT	N	D	Packing case (U.S.A Other countries)
	SPAKC6134DS12	AT	N	D	Packing case (Europe,U.Kngdom,Australia,New Zealand)
	SPAKC6134DS13	AT	N	D	Packing case (China)
7	SPAKA6135FCZZ	AK	N	D	Sleeve
8	SPAKA6137FCZZ	AK	N	D	Spacer

**43** Packing Material & Accessories[AR-RK1]



FCP05059

■ Index

PARTS CODE	NO.	PRICE RANK	NEW MARK	PART RANK
[C]				
CARMP0147DS51	28-501	BA	N	E
CBTN-0250FC01	29- 18	AH	N	E
CBTN-0251FC01	29- 15	AF	N	E
CBTN-0252FC01	29- 13	AP	N	E
CBTN-0253FC01	29- 12	AN	N	E
CCÖVP1541FC02	31- 5	AT	N	D
CDAIU0619DS51	31- 1	BF	N	E
"	32-901	BF	N	E
CFILW0282FC01	29- 16	AF	N	D
CFILW0283FC01	29- 17	AF	N	D
CFILW0284FC01	29- 14	AF	N	D
CGLSP0003RS51	27- 10	BC	N	B
CGLSP0003RS52	27- 10	BF	N	B
CGLSP0102DS51	27- 13	BF	N	B
CHLDZ1446FC31	31-501	BC	N	E
CiNSR2085FC51	17- 20	AS	N	D
CiNSR2127FC51	17- 20	AR	N	D
CiNSZ2086FC51	17- 20	AS	N	D
CiNSZ2128FC51	17- 20	AR	N	D
CPLTM0031RS51	31- 41	BS	N	E
CPLTM5719FC01	31- 31	AG	N	C
CPLTM5746FC01	35- 7	AE	N	C
CPLTM5882FC02	34- 47	AN	N	C
CPNLC0244DS51	27- 26	CV	N	D
CPNLC0244DS52	27- 26	CT	N	D
CPNLC0245FC01	29- 20	AY	N	D
CPNLC0245FC02	29- 20	AY	N	D
CPNLH0020QS12	1- 26	AK	N	D
CPNLH0020QS13	1- 26	AK	N	D
CPNLH0020QS22	1- 26	AK	N	D
CPNLH0020QS23	1- 26	AK	N	D
CPWBF1449FC31	32- 9	BH	N	E
CPWBF1453FCE1	28- 9	BN	N	E
CPWBF1454FCE1	31- 45	BN	N	E
CPWBF1459DS51	33- 26	BN	N	E
CPWBF1469FCE1	29- 11	BN	N	E
"	38-901	BN	N	E
CPWBF1470DS51	29- 4	BN	N	E
CPWBF1501DS51	33- 16	BN	N	E
CPWBN1450FCE1	30- 13	BF	N	E
"	39-901	BF	N	E
CPWBN1451DS51	30- 18	BF	N	E
CPWBN1458FCE1	36- 1	BF	N	E
"	40-901	BF	N	E
CPWBN1471FCE1	29- 1	BF	N	E
CSFTZ2586FC31	31-502	AZ	N	E
[D]				
DHAi-3150FCZZ	31- 40	AD	N	C
DHAi-3152FCZZ	30- 19	AF	N	C
DHAi-3153FCZZ	30- 38	AC	N	C
DHAi-3161FCZZ	33- 29	AK	N	C
DHAi-3162FCZZ	35- 13	AK	N	C
DHAi-3166FCZZ	33- 27	AY	N	C
DHAi-3191FCZZ	29- 6	AF	N	C
DHAi-3192FCZZ	29- 5	AD	N	C
DHAi-3193FCZZ	29- 22	AC	N	C
DHAi-3281FCZZ	34- 62	AH	N	C
DHAi-3303FCZZ	30- 28	BC	N	C
DHAi-3336FCZZ	34- 79	AB	N	C
DUNT-7079FCZZ	36- 4	CC	N	E
DUNT-7132DSZZ	27- 8	CY	N	E
DUNT-7133DSZZ	27- 8	CZ	N	E
[G]				
GCAB-0940FCZ2	1- 5	BA	N	D
GCAB-0942FCZZ	27- 5	AP	N	D
"	28- 12	AP	N	D
GCAB-0943FCZZ	27- 1	AK	N	D
GCAB-0945FCZZ	27- 7	AR	N	D
[H]				
HPNLC0243FCZ1	1- 11	AP	N	D
HPNLC0244FCZZ	29- 19	AZ	N	D
HPNLH0246FCZZ	29- 10	BF	N	D
[J]				
JKNBZ0141FCZZ	34- 56	AH	N	C
[L]				
LBNDJ0043FCZZ	30- 37	AA		C
LBSHC0161FCZZ	31- 4	AB		C
LBSHZ1102CCZZ	28- 3	AC		C

PARTS CODE	NO.	PRICE RANK	NEW MARK	PART RANK
LDAIU0610FCZZ	30- 30	AE		D
LDAIU0619FCZZ	32- 5	AT	N	C
LDAIU0627FCZZ	27- 27	AZ	N	D
LFiX-0284FCZZ	31- 12	AC		C
LFiX-0537FCZZ	30- 39	AD		C
LFiX-0543FCZZ	27- 12	AG	N	D
LFiX-0544FCZZ	27- 9	AG	N	D
LFiX-0545FCZZ	32- 12	AC	N	C
LFiX-0568FCZZ	33- 12	AC	N	C
LFiX-0569FCZZ	30- 46	AD	N	C
LFRM-1022FCZZ	34- 36	AK	N	D
LHLDW0429FCZZ	34- 52	AB		C
LHLDW0595FCZZ	30- 35	AC		C
LHLDW1007LCZZ	30- 34	AD		C
LHLDW1009ACZZ	34- 40	AA		C
"	34- 60	AA		C
LHLDW1115FCZZ	30- 3	AD		C
"	30- 14	AD		C
LHLDW1201CGZZ	30- 45	AA		C
LHLDW1264FCZZ	30- 36	AD		C
LHLDW2101SCZZ	34- 59	AB		C
LHLDZ1085FCZ2	28- 8	AD	N	C
LHLDZ1381FCZZ	31- 44	AL		C
LHLDZ1458FCZZ	29- 9	AF	N	C
LHLDZ1459FCZZ	29- 7	AE	N	C
LHLDZ1483FCZZ	34- 13	AF		C
LHLDZ1484FCZZ	34- 67	AC	N	C
LHLDZ1485FCZZ	34- 32	AC	N	C
LHLDZ1486FCZZ	34- 45	AC	N	C
LHLDZ1505FCZZ	31- 2	AC	N	C
LPIINS0014QSGZ	29- 21	AC	N	C
LPIINS1031HCZZ	34- 48	AA		C
LPLTM2573FCZ1	33- 43	AD		C
LPLTM5720FCZZ	30- 20	AK	N	C
LPLTM5723FCZZ	30- 10	AG	N	C
LPLTM5765FCZ1	12- 35	AH	N	C
"	41- 12	AH	N	C
LPLTM5785FCZZ	34- 53	AC	N	C
LPLTM5877FCZZ	30- 24	AE	N	C
LPLTM5884FCZZ	34- 51	AW	N	C
LPLTM5887FCZZ	33- 10	AL	N	C
LPLTM5889FCZZ	34- 57	AC	N	C
LPLTM5891FCZZ	35- 1	AE	N	C
LPLTM5927FCZZ	30- 22	AF	N	C
LPLTM5928FCZZ	34- 23	AG	N	C
LPLTM5929FCZZ	34- 61	AR	N	C
LPLTM5930FCZZ	35- 5	AD	N	C
LPLTM5932FCZZ	35- 24	AC		C
LPLTP5743FCZZ	33- 17	AF		C
LPLTP5747FCZZ	35- 8	AC	N	C
LPLTP5748FCZZ	35- 32	AD	N	C
LPLTP5777FCZZ	33- 38	AG	N	D
LPLTP5778FCZZ	33- 37	AG	N	D
LPLTP5938FCZZ	33- 44	AC	N	C
LPLTP5960FCZZ	30- 44	AE	N	C
LRALM0183FCZZ	30- 31	AG	N	C
LRALM0184FCZZ	30- 41	AG	N	C
LSOU-0177FCGZ	37- 2	AP		D
LSOU-0179FCZZ	37- 2	AR		D
LSTPP0314FCZZ	35- 21	AA		C
LSTPP0353FCZZ	35- 3	AE	N	C
LSTPP0359FCZZ	34- 65	AE	N	C
LSTYM0261FCZZ	32- 11	AB	N	C
LSTYM0288FCZZ	34- 31	AK	N	C
LX-BZ0004QSZZ	30- 42	AB		C
LX-BZ0049FCZZ	31- 19	AB		C
LX-BZ0324FCZZ	31- 22	AA		C
LX-BZ0465FCZZ	27- 24	AA		C
LX-BZ0680FCZZ	36- 5	AB		C
LX-BZ0776FCZZ	27- 6	AG		C
LX-BZ0787FCZZ	37- 5	AH		C
LX-BZ0828FCZZ	12- 56	AD		C
"	41- 3	AD		C
LX-BZ0842FCZZ	27- 4	AG		C
LX-BZ0921FCZ1	12- 25	AE	N	C
"	41- 4	AE	N	C
LX-BZ0931FCZZ	34- 76	AC	N	C
LX-WZ0119FCZZ	31- 35	AA		C
[M]				
MARMP0147FCZ2	28- 10	AK	N	C
MARMP0148FCZ2	28- 1	AK	N	C



PARTS CODE	NO.	PRICE RANK	NEW MARK	PART RANK
MARMP0243FCZZ	33- 41	AD		C
MARMP0248FCZZ	35- 15	AE		C
MARMP0284FCZZ	34- 26	AC	N	C
MHNG-0208FCZZ	33- 7	BA	N	C
MHNG-0209FCZZ	34- 34	BC	N	C
MLEVP0794FCZZ	33- 34	AC	N	C
MLEVP0796FCZZ	35- 14	AC	N	C
MLEVP0797FCZZ	35- 26	AC	N	C
MLEVP0804FCZZ	35- 16	AC	N	C
MLEVP0837FCZZ	34- 70	AC	N	C
MSL i-0138FCZZ	31- 15	AC		C
/"	32- 8	AC		C
MSPRC2865FCZ1	27- 21	AB	N	C
MSPRC3001FCZZ	34- 69	AB	N	C
MSPRD2870FCZ1	35- 22	AC	N	C
MSPRD2879FCZZ	35- 27	AB	N	C
MSPRD3002FCZZ	34- 33	AC	N	C
MSPRD3020FCZ1	31- 49	AG	N	C
MSPRP2825FCZZ	32- 14	AC	N	C
MSPRP2830FCZZ	33- 19	AA		C
MSPRP2832FCZZ	35- 17	AC	N	C
MSPRP2878FCZZ	34- 8	AC	N	C
MSPRP3009FCZZ	29- 2	AD	N	C
MSPRP3011FCZZ	34- 39	AC	N	C
MSPRT1563FCZZ	28- 7	AC		C
MSPRT2846FCZZ	31- 30	AC	N	C
MSPRT2863FCZZ	35- 31	AB	N	C
MSPRT2864FCZZ	35- 9	AC	N	C
[N]				
NBLTH0329FCZZ	31- 18	AG	N	B
NBLTH0363FCZZ	34- 18	AG	N	B
NBLTH0364FCZZ	34- 44	AG	N	B
NBRGC0133FCZ1	31- 42	AC		C
NBRGC0136FCZZ	34- 12	AC		C
NBRGM0096FCZ1	34- 17	AB		C
NGERH0027QSZZ	31- 33	AH		C
NGERH1476FCZZ	34- 42	AD	N	C
NGERH1477FCZZ	34- 37	AC	N	C
NGERH1478FCZZ	34- 43	AE	N	C
NGERP1385FCZZ	33- 22	AF		C
NGERR1386FCZZ	33- 21	AE		C
NPLYZ0005QSZZ	31- 24	AG		C
NPLYZ0006QSZZ	31- 26	AD		C
NPLYZ0013QSZZ	31- 23	AL		C
NPLYZ0338FCZZ	31- 20	AN		C
NPLYZ0375FCZZ	34- 46	AC		C
NPLYZ0397FCZZ	34- 20	AK		C
NPLYZ0398FCZZ	34- 16	AC		C
NPLYZ0399FCZZ	31- 9	AG	N	C
NRÖLP0011QSZZ	27- 18	AD		C
NRÖLP1364FCZZ	34- 28	AC		C
NRÖLR1312FCZZ	34- 19	AN		C
NRÖLR1317FCZZ	34- 21	AP		C
NRÖLR1318FCZZ	34- 30	AR	N	C
NRÖLR1320FCZZ	34- 50	AQ	N	C
NSFTZ1805FCZZ	28- 5	AE		C
NSFTZ2586FCZZ	31- 25	AS	N	C
NSFTZ2599FCZ1	34- 10	AW	N	C
NSFTZ2600FCZZ	34- 7	AM	N	C
NSFTZ2601FCZZ	27- 20	AH	N	C
NSFTZ2659FCZZ	35- 23	AR	N	C
NSFTZ2678FCZZ	34- 15	AL	N	C
[P]				
PBRSS0209FCZZ	34- 77	AG	N	B
PCAPH0010GCZZ	26- 1	AD		D
PCLC-0302FCZZ	34- 22	AT	N	B
PCLC-0303FCZZ	34- 14	AT	N	B
PCLR-0426FCZZ	34- 49	AD		C
PCLR-0471FCZZ	34- 6	AG	N	C
PCÖVP1468FCZZ	26- 2	AD		D
PCÖVP1518FCZZ	33- 9	AE		D
PCÖVP1549FCZZ	33- 39	AU	N	D
PCÖVP1557FCZZ	12- 38	AC		C
/"	41- 5	AC		C
PCÖVP1560FCZZ	12- 37	AC	N	C
/"	41- 6	AC	N	C
PCÖVP1566FCZZ	27- 3	AS	N	D
PCÖVP1593FCZZ	36- 3	AF	N	D
PCÖVP1594FCZZ	34- 1	AG	N	D
PCÖVP1595FCZZ	33- 3	AG	N	D
PCÖVP1598FCZZ	30- 26	AL	N	D

PARTS CODE	NO.	PRICE RANK	NEW MARK	PART RANK
PCÖVP1599FCZZ	30- 1	AG	N	D
PCÖVP1600FCZZ	30- 6	AF	N	D
PCÖVP1615FCZZ	33- 5	AE	N	D
PCÖVP1624FCZZ	27- 23	AC	N	D
PCÖVP1644FCZZ	33- 14	AD	N	C
PCÖVP1645FCZZ	33- 24	AH	N	C
PCUSF0334FCZZ	32- 10	AP		C
PCUSS0372FCZZ	34- 64	AD	N	C
PCUSS0373FCZZ	34- 72	AB	N	C
PCUSU0203FCZZ	31- 7	AE		C
/"	32- 6	AE		C
PGiDH1897FCZZ	34- 74	AT	N	C
PGiDM1890FCZZ	31- 8	AC	N	C
PGiDM1899FCZZ	35- 30	AY	N	C
PGiDM1900FCZZ	27- 16	AR	N	C
PGiDM1901FCZZ	27- 17	AQ	N	C
PGiDM1953FCZZ	34- 4	AS	N	C
PGiDM1964FCZZ	31- 50	AC	N	C
PGLSP0103FCZZ	34- 75	AV	N	C
PGUMS0002QSZZ	31- 32	AL		C
PGUMS0283FCZ1	30- 29	AA	N	C
PGUMS0296FCZZ	33- 20	AD	N	C
PGUMS0298FCZZ	33- 15	AC	N	C
PGUMS0299FCZZ	33- 25	AH	N	C
PMAGT0072FCZZ	35- 11	AF		C
PMiR-0164FCZZ	32- 13	AP	N	B
PMiR-0165FCZZ	31- 13	AP	N	B
PMLT-1256FCZZ	27- 29	AC	N	C
PMLT-1257FCZZ	27- 30	AB	N	C
PMLT-1270FCZZ	34- 55	AB	N	C
PMLT-1271FCZZ	35- 28	AB	N	C
PMLT-1272FCZZ	34- 3	AB	N	C
/"	35- 2	AB	N	C
PMLT-1282FCZZ	30- 47	AE	N	C
PMLT-1284FCZZ	36- 8	AE	N	C
PMLT-1286FCZZ	33- 2	AD	N	C
PREFL0172FCZZ	32- 3	AK		B
PRNGP0090FCZZ	33- 42	AA		C
PSHEP4846FCZZ	34- 58	AD	N	C
PSHEP4848FCZZ	35- 20	AB	N	C
PSHEP4915FCZZ	34- 5	AE	N	C
PSHEP4916FCZ1	34- 73	AF	N	C
PSHEP4927FC10	17- 13	AR	N	D
PSHEP4927FC11	17- 13	AR	N	D
PSHEP4927FCZ1	17- 13	AR	N	D
PSHEP4927FCZ2	17- 13	AM	N	D
PSHEP4927FCZ3	17- 13	AR	N	D
PSHEP4927FCZ4	17- 13	AR	N	D
PSHEP4927FCZ5	17- 13	AR	N	D
PSHEP4927FCZ6	17- 13	AR	N	D
PSHEP4927FCZ7	17- 13	AR	N	D
PSHEP4927FCZ8	17- 13	AR	N	D
PSHEP4927FCZ9	17- 13	AR	N	D
PSHEP4927FCZZ	17- 13	AM	N	D
PSHEP4932FCZZ	30- 7	AD	N	C
PSHEP4937FCZZ	35- 29	AB	N	C
PSHEZ4836FCZZ	30- 43	AB	N	C
PSHEZ4841FCZ1	30- 40	AD	N	C
PSHEZ4842FCZZ	30- 27	AD	N	C
PSHEZ4843FCZZ	30- 32	AC	N	C
PSHEZ4845FCZZ	33- 1	AV	N	C
PSHEZ4847FCZZ	35- 19	AL	N	C
PSHEZ4878FCZZ	35- 18	AC	N	C
PSHEZ4906FCZZ	29- 24	AC	N	C
PSHEZ4949FCZZ	34- 38	AE	N	C
PSHEZ4957FCZZ	34- 78	AC	N	C
PSLDH0178FCZZ	28- 4	AD		C
PSPO-0001QSZZ	27- 19	AB		C
PTPE-0265FCZZ	33- 13	AC	N	C
PWiR-0191FCZZ	31- 17	AQ	N	B
PWiR-0192FCZZ	31- 16	AQ	N	B
[Q]				
QCNCM0041QSZZ	26- 3	AP		C
QCNCM0828FCZZ	39- 1	AE		C
QCNCM0829FCZZ	39- 2	AG		C
QCNCM0880FCZZ	40- 1	AF		C
QCNCM0923FC12	40- 2	AE		C
QCNCM1146FCZZ	26- 4	AE	N	C
QCNCM1148FCZZ	26- 5	AP	N	C
QCNCM1166FCZZ	39- 3	AK	N	C
QCNCM1167FCZZ	39- 4	AP	N	C

PARTS CODE	NO.	PRICE RANK	NEW MARK	PART RANK
QCNCM1171FCZZ	38- 1	AE	N	C
QCNCM7014SC1C	39- 5	AC		C
QCNCM7022SC0C	39- 6	AB		C
QCNCM7022SC0E	39- 7	AB		C
QCNCM7022SC0F	39- 8	AB		C
QCNCW0885FCZZ	39- 9	AG		C
QCNCW0946FCZZ	26- 6	AH		C
QCNCW1134FCZZ	38- 2	AH		C
QCNCW1147FCZZ	26- 7	AL	N	C
QCNCW1149FCZZ	26- 8	AN	N	C
QCNCW1160FCZZ	40- 3	AD	N	C
QCNCW7040XC8J	39- 10	AP		C
QCNW-0165FCZZ	30- 15	AH	N	C
QCNW-0166FCZZ	29- 25	AE	N	C
QCNW-0167FCZZ	30- 5	AM	N	C
QCNW-0168FCZZ	30- 4	AE	N	C
/"	32- 7	AE	N	C
QCNW-0170FCZZ	36- 6	AH	N	C
QCNW-0181FCZZ	30- 16	AH	N	C
QFS-D132CQCZZ	26- 9	AG		A
QFSHB0028FCZZ	26- 10	AC		C
QP iN-0003GCZZ	26- 11	AC		C
QSÖCZ0001QSZZ	26- 12	AL		C
QSÖCZ0002QSZZ	39- 11	AD		C
QSÖCZ0071FCZZ	39- 12	AP		C
QSÖCZ0073FCZZ	26- 13	AL		C
QSÖCZ0079FCZZ	26- 14	AN		C
QSÖCZ6428ACZZ	26- 15	AE		C
/"	39- 13	AE		C
QSW-P0005QSZZ	38- 3	AC		B
QSW-Z0531FCZZ	34- 63	AL		B
[R]				
RALMB1002LCZZ	38- 4	AE		B
RC-KZ0008QCZZ	38- 5	AB	N	C
RCORF0041FCZZ	27- 31	AH	N	C
RCRMZ6007RCZZ	39- 14	AD		B
RCRS-0007FCZZ	38- 6	AD		B
RCRSP6676RCZZ	26- 16	AG		B
RCRSZ0001QSZZ	39- 15	AG		B
RCRUA0005FCZZ	26- 17	AP		B
RCRUA0007FCZZ	26- 18	AP		B
RCRUA0008FCZZ	26- 19	AP		B
RCRUA0009FCZZ	26- 20	AP		B
RCRUA0012FCZZ	26- 21	AP		B
RF iLN0048FCZZ	26- 22	AC		C
RF iLN0049FCZZ	39- 16	AE	N	C
RF iLN0051FCZZ	26- 23	AC	N	C
RF iLN6012RCZZ	39- 17	AB		C
/"	40- 4	AB		C
RF iLZ1005LCZZ	39- 18	AB		C
/"	40- 5	AB		C
RH-DZ0016FCZZ	38- 7	AB		B
RH- iX2196SCZZ	39- 19	AG		B
RLMPD0658FCZZ	32- 1	BA	N	B
RMÖTS0857FCZZ	31- 27	AZ	N	B
RMÖTS0876FCZZ	34- 35	BD	N	B
RMPTR4100ACZZ	26- 24	AB		B
RMPTR4103ACZZ	26- 25	AB		B
/"	39- 20	AB		B
RMPTR4330ACZZ	26- 26	AB		B
RMPTR4472ACZZ	26- 27	AB		B
RPLU-0336FCZZ	34- 25	AS	N	B
RPLU-0347FCZZ	35- 12	AQ	N	B
[S]				
SPAKA0307QSZZ	37- 3	AD		D
SPAKA6075DSZZ	37- 1	AA	N	D
SPAKA6132FCZZ	37- 6	AT	N	D
SPAKA6133FCZZ	37- 8	AU	N	D
SPAKA6135FCZZ	43- 7	AK	N	D
SPAKA6136FCZZ	43- 1	AE	N	D
SPAKA6137FCZZ	43- 8	AK	N	D
SPAKA6143FCZZ	42- 5	AN	N	D
SPAKA6144FCZZ	42- 4	AH	N	D
SPAKA6265FCZZ	37- 10	AC	N	D
SPAKC6118DS12	17- 5	AU	N	D
SPAKC6118DS13	17- 5	AU	N	D
SPAKC6122DS17	17- 5	AU	N	D
SPAKC6122DS18	17- 5	AU	N	D
SPAKC6122DS19	17- 5	AU	N	D
SPAKC6122DS20	17- 5	AU	N	D
SPAKC6122DS21	17- 5	AU	N	D

PARTS CODE	NO.	PRICE RANK	NEW MARK	PART RANK
SPAKC6122DS22	17- 5	AU	N	D
SPAKC6131DS11	37- 9	AF	N	D
SPAKC6131DSZZ	37- 9	AF	N	D
SPAKC6134DS11	43- 2	AT	N	D
SPAKC6134DS12	43- 2	AT	N	D
SPAKC6134DS13	43- 2	AT	N	D
SPAKC6134DSZZ	43- 2	AT	N	D
SPAKC6142FC11	42- 6	AP	N	D
SPAKC6142FC12	42- 6	AP	N	D
SPAKC6142FC13	42- 6	AP	N	D
SPAKC6142FCZZ	42- 6	AP	N	D
SPAKP2792RCZZ	42- 2	AE		D
SSAKZ0003QSZZ	37- 7	AF		D
[T]				
TCADZ1178FCZZ	37- 4	AB		D
T iNSD2092GHZZ	17- 20	AS	N	D
T iNSD2134GHZZ	17- 20	AS	N	D
T iNSE2077FCZZ	17- 20	AQ	N	D
T iNSE2078FCZZ	17- 20	AW	N	D
T iNSE2081GHZZ	17- 20	AS	N	D
T iNSE2087FCZZ	17- 20	AX	N	D
T iNSE2119FCZZ	17- 20	AN	N	D
T iNSE2120FCZZ	17- 20	AV	N	D
T iNSE2123GHZZ	17- 20	AS	N	D
T iNSE2129FCZZ	17- 20	AV	N	D
T iNSE2181FCZZ	17- 20	AT	N	D
T iNSF2079FCZZ	17- 20	AW	N	D
T iNSF2121FCZZ	17- 20	AV	N	D
T iNSG2080GHZZ	17- 20	AS	N	D
T iNSG2122GHZZ	17- 20	AS	N	D
T iNSH2084GHZZ	17- 20	AS	N	D
T iNSH2126GHZZ	17- 20	AS	N	D
T iNSi2083GHZZ	17- 20	AS	N	D
T iNSi2125GHZZ	17- 20	AS	N	D
T iNSJ2076FCZZ	17- 20	AQ	N	D
T iNSJ2118FCZZ	17- 20	AN	N	D
T iNSS2082FCZZ	17- 20	AW	N	D
T iNSS2124FCZZ	17- 20	AV	N	D
T iNSW2089GHZZ	17- 20	AS	N	D
T iNSW2131GHZZ	17- 20	AS	N	D
T iNSZ2090GHZZ	17- 20	AS	N	D
T iNSZ2091GHZZ	17- 20	AS	N	D
T iNSZ2093GHZZ	17- 20	AS	N	D
T iNSZ2094GHZZ	17- 20	AS	N	D
T iNSZ2095GHZZ	17- 20	AS	N	D
T iNSZ2132GHZZ	17- 20	AS	N	D
T iNSZ2133GHZZ	17- 20	AS	N	D
T iNSZ2135GHZZ	17- 20	AS	N	D
T iNSZ2136GHZZ	17- 20	AS	N	D
T iNSZ2137GHZZ	17- 20	AS	N	D
TLABH4440FCZZ	33- 45	AF		D
TLABZ4335FCZZ	32- 15	AB		D
[U]				
UBAT i0014FCZZ	26- 28	AN		B
[V]				
VCCCCZ1HH101J	26- 29	AA		C
/"	40- 6	AA		C
VCCCCZ1HH220J	26- 30	AA		C
/"	39- 21	AA		C
VCEAGA1AW476M	39- 22	AA		C
VCEAGA1AW477M	39- 23	AB		C
VCEAGA1CW477M	39- 24	AB		C
VCEAGA1HW224M	39- 25	AA		C
VCEAGA1VW476M	39- 26	AB		C
VCEAJU1CW476M	38- 8	AB		C
VCEAPH1HC105M	26- 31	AC		C
VCEAPS1AC227M	26- 32	AD		C
VCEAPS1CC106M	26- 33	AC		C
VCEAPS1CC226M	26- 34	AC		C
VCEAPS1CC476M	26- 35	AC		C
VCEAYU1EC476M	40- 7	AC	N	C
VCEAYU1VC476M	40- 8	AC	N	C
VCEAZU1VW477M	39- 27	AD		C
VCKYCZ1CB103K	39- 28	AA		C
VCKYCZ1CF104Z	26- 36	AB		C
/"	40- 9	AB		C
VCKYCZ1EF223Z	39- 29	AA		C
VCKYCZ1HB102K	26- 37	AA		C
/"	39- 30	AA		C
/"	40- 10	AA		C
VCKYCZ1HB222K	39- 31	AA		C

PARTS CODE	NO.	PRICE RANK	NEW MARK	PART RANK
VCKYCZ1HF103Z	26- 38	AA		C
"	39- 32	AA		C
"	40- 11	AA		C
VCKYPU1EB223Z	38- 9	AB		C
VCKYPU1HB101K	38- 10	AA		C
VCQYNA1HM103K	39- 33	AA		C
VHD1SS133//--1	38- 11	AA		B
VHDDAN202K/--1	39- 34	AB		B
VHDDAP202K/--1	39- 35	AB		B
VHDDAP202U/--1	26- 39	AB		B
VHDDSM1D1//--1	39- 36	AB		B
VHDM1FL20U+-1	39- 37	AC	N	B
VHDM704A//--1	39- 38	AC		B
VHDRB451F//--1	26- 40	AD		B
VHDRLS73///--1	26- 41	AA		B
VHEHVS3B3//--1	39- 39	AB		B
VHi28F081L02C	30- 12	BB	N	B
VHi28F322L01F	12- 54	BE	N	B
"	41- 1	BE	N	B
VHi28F322L02F	12- 55	BF	N	B
"	41- 2	BF	N	B
VHi28F322L03F	12- 54	BF	N	B
"	41- 1	BF	N	B
VHi28F322L04F	12- 55	BL	N	B
"	41- 2	BL	N	B
VHi65946P07-1	26- 42	BA		B
VHi74LCX08MTC	26- 43	AE		B
VHi74LCX14MTC	26- 44	AE		B
VHi74LCX244MT	26- 45	AG		B
VHi74LCX32MTC	26- 46	AE		B
VHi74LVX16128	26- 47	AP		B
VHi74VHC04M-1	39- 40	AE	N	B
"	40- 12	AE	N	B
VHi74VHC32M-1	39- 41	AD	N	B
VHi74VHCT240X	40- 13	AF		B
VHi7SZ125M5-1	40- 14	AE	N	B
VHi90LV17AW-1	26- 48	AP		B
"	39- 42	AP		B
VHi90LV27AW-1	40- 15	AQ	N	B
VHiD65943GJ-1	39- 43	AY	N	B
VHiD82825GM-1	40- 16	BK	N	B
VHiDS14C238//	26- 49	AT		B
VHiEEP64-120P	26- 50	AW		B
VHiEES04L400P	39- 44	AG		B
VHiFS781BZB-1	40- 17	AP		B
VHiH8S2322R-1	39- 45	AZ		B
VHiHG73C095-1	26- 51	AY		B
VHiHN58V65A-1	39- 46	AW		B
VHiKS0U1347-1	26- 52	BN		B
VHiLCX157MT-1	26- 53	AG		B
VHiLCX16244-1	26- 54	AM		B
VHiLCX16245-1	26- 55	AM		B
VHiLCX16373-1	26- 56	AM		B
VHiLCX74MTC-1	26- 57	AE		B
VHiLM324D++-1	39- 47	AE		B
VHiLM339D++-1	39- 48	AE		B
VHiLM393D++-1	26- 58	AE		B
VHiLV25612J-1	39- 49	AQ		B
VHiLVT240MT-1	26- 59	AL		B
VHiM3064ATC-1	40- 18	AX	N	B
VHiM87J4810-1	26- 60	BK		B
VHiMTD1361F-1	39- 50	AR		B
VHiN2370R04-1	26- 61	AF		B
VHiN2370R33-1	26- 62	AF		B
VHiN2391D25-1	26- 63	AG		B
VHiNJM317DL-1	26- 64	AK		B
VHiNJU6356E-1	26- 65	AK		B
VHiPi6C2309-1	26- 66	AR		B
VHiPM2500++-1	26- 67	BP		B
VHiPST598DN-1	26- 68	AF		B
VHiPST598iN-1	26- 69	AF		B
VHiS1340AF+-1	38- 12	AH		B
VHiSD4M16L1-1	26- 70	AZ		B
VHiSD8M16L1-1	26- 71	BB		B
VHiSR1024-7LL	26- 72	AU		B
VHiT4955A20-1	26- 73	BF		B
VHiTD62003AP1	39- 51	AG		B
VHiTD62503F/--	39- 52	AG		B
VHiTD62503F-1	26- 74	AF		B
VHiVHC244SJ-1	39- 53	AG	N	B
"	40- 19	AG	N	B

PARTS CODE	NO.	PRICE RANK	NEW MARK	PART RANK
VHP1LHEE-002A	26- 75	AC		B
VHP1LHLE-002A	38- 13	AC		B
VHPGP1A22LC-1	31- 38	AK		B
VHPGP1A73A+-1	33- 33	AG		B
"	34- 68	AG		B
"	35- 10	AG		B
VHPGP3A38//--1	31- 36	AH		B
VHPLT9400E/--1	38- 14	AK		B
VHV1608C080-1	26- 76	AC		B
VHViCPS1_2/--1	26- 77	AF		B
VRD-HT2EY101J	38- 15	AA		C
VRD-HT2EY102J	38- 16	AA		C
VRD-HT2EY163J	39- 54	AA		C
VRD-HT2EY302J	38- 17	AA		C
VRD-HT2EY331J	38- 18	AA		C
VRD-HT2EY471J	38- 19	AA		C
VRD-HT2EY911J	39- 55	AA		C
VRS-CZ1JD000J	26- 78	AA		C
"	39- 56	AA		C
"	40- 20	AA		C
VRS-CZ1JD100J	26- 79	AA		C
VRS-CZ1JD101J	26- 80	AA		C
"	39- 57	AA		C
"	40- 21	AA		C
VRS-CZ1JD102J	26- 81	AA		C
"	39- 58	AA		C
"	40- 22	AA		C
VRS-CZ1JD103F	39- 59	AA		C
VRS-CZ1JD103J	26- 82	AA		C
"	39- 60	AA		C
VRS-CZ1JD122J	39- 61	AA		C
VRS-CZ1JD151J	39- 62	AA		C
VRS-CZ1JD183J	26- 83	AA		C
VRS-CZ1JD203J	39- 63	AA		C
VRS-CZ1JD220J	26- 84	AA		C
VRS-CZ1JD221J	26- 85	AA		C
VRS-CZ1JD222J	26- 86	AA		C
"	39- 64	AA		C
"	40- 23	AA		C
VRS-CZ1JD303F	39- 65	AA		C
VRS-CZ1JD303J	39- 66	AA	N	C
VRS-CZ1JD330J	26- 87	AA		C
VRS-CZ1JD332F	40- 24	AA		C
VRS-CZ1JD332J	26- 88	AA		C
VRS-CZ1JD333J	26- 89	AA		C
VRS-CZ1JD470J	26- 90	AA		C
VRS-CZ1JD472J	26- 91	AA		C
VRS-CZ1JD511J	26- 92	AA		C
VRS-CZ1JD561J	39- 67	AA		C
VRS-CZ1JD562J	39- 68	AA		C
VRS-CZ1JD621J	39- 69	AA		C
VRS-CZ1JD624J	39- 70	AA	N	C
VRS-CZ1JD681J	39- 71	AA		C
VRS-CZ1JD750J	26- 93	AA		C
VRS-CZ1JD752J	39- 72	AA		C
VRS-CZ1JD823J	26- 94	AA		C
VRS-CZ1JD911J	39- 73	AA	N	C
VRS-RE3DA1R0J	39- 74	AB		C
VS2SB1197//--1	39- 75	AC		B
VS2SC1740SR-1	38- 20	AB		B
VS2SK3065++-1	39- 76	AG	N	B
VSDTA114YK/--1	39- 77	AC		B
VSDTC114EK/--1	26- 95	AB		B
VSDTC114YK/--1	26- 96	AC		B
"	39- 78	AC		B
VSDTC114YS/--1	38- 21	AB		B
VSUPA502T//--1	26- 97	AD		B
"	39- 79	AD		B
VVLLM065HB1-1	29- 8	CB	N	B
[X]				
XBBS230P10000	35- 35	AA		C
XBBSD30P06000	12- 51	AA		C
"	34- 24	AA		C
"	36- 2	AA		C
"	41- 7	AA		C
XBBSD30P12000	32- 4	AA		C
XBBSD40P06000	30- 17	AA		C
"	31- 3	AA		C
XBBSD40P08000	36- 7	AA		C
XBBSD40P10000	31- 39	AA		C
XBBSD40P14000	31- 37	AA		C



#### CAUTION FOR BATTERY REPLACEMENT

- (Danish) ADVARSEL !  
Lithiumbatteri - Eksplosionsfare ved fejlagtig håndtering.  
Udskiftning må kun ske med batteri  
af samme fabrikat og type.  
Levér det brugte batteri tilbage til leverandoren.
- (English) Caution !  
Danger of explosion if battery is incorrectly replaced.  
Replace only with the same or equivalent type  
recommended by the manufacturer.  
Dispose of used batteries according to manufacturer's instructions.
- (Finnish) VAROITUS  
Paristo voi räjähtää, jos se on virheellisesti asennettu.  
Vaihda paristo ainoastaan laitevalmistajan suosittelemaan  
tyyppiin. Hävitä käytetty paristo valmistajan ohjeiden  
mukaisesti.
- (French) ATTENTION  
Il y a danger d'explosion s'il y a remplacement incorrect  
de la batterie. Remplacer uniquement avec une batterie du  
même type ou d'un type équivalent recommandé par  
le constructeur.  
Mettre au rebut les batteries usagées conformément aux  
instructions du fabricant.
- (Swedish) VARNING  
Explosionsfara vid felaktigt batteribyte.  
Använd samma batterityp eller en ekvivalent  
typ som rekommenderas av apparattillverkaren.  
Kassera använt batteri enligt fabrikantens  
Instruktion.
- (German) Achtung  
Explosionsgefahr bei Verwendung inkorrekt  
er Batterien.  
Als Ersatzbatterien dürfen nur Batterien vom gleichen Typ oder  
vom Hersteller empfohlene Batterien verwendet werden.  
Entsorgung der gebrauchten Batterien nur nach den vom  
Hersteller angegebenen Anweisungen.

#### CAUTION FOR BATTERY DISPOSAL

- (For USA, CANADA)  
Contains lithium-ion battery. Must be disposed of properly.  
Remove the battery from the product and contact  
federal or state environmental  
agencies for information on recycling and disposal options.

# SHARP

**COPYRIGHT © 2001 BY SHARP CORPORATION**

All rights reserved.

Printed in Japan.

No part of this publication may be reproduced,  
stored in a retrieval system, or transmitted,  
in any form or by any means,  
electronic, mechanical, photocopying, recording, or otherwise,  
without prior written permission of the publisher.

**SHARP CORPORATION**  
**Digital Document Systems Group**  
**Quality & Reliability Control Center**  
**Yamatokoriyama, Nara 639-1186, Japan**

2001 June Printed in Japan ⓘ